

Hamble-le- Rice Parish Council

Asset Management Committee



Tuesday 6th February 2018 10.00 – 11.30am

Parish Office, Memorial Hall, High Street, Hamble-le-Rice

Section 1. Welcome

- 1a Apologies for absence
- 1b Declaration of interest and approved dispensations
- 1c Notes from last meeting

Section 2. Public Session

Section 3. Strategy/Policy

- 3a Bio diversity Strategy – Paper Attached
- 3b. Memorial Benches – Paper Attached

Section 4. Requests

- 4a TS Mercury Works – Email Attached
- 4b Allotments – Email Attached

Section 5. Operational

- 5a Equipment Purchase – update
- 5b Electrical works – for noting

5c Feedback from the Dinghy Park Consultation

5d Future Work Plan – item to be tabled

Clerk.....

Date.....

**HAMBLE-LE-RICE PARISH COUNCIL
DRAFT NOTES OF THE ASSET MANAGEMENT COMMITTEE
MONDAY 8TH JANUARY 2018
PARISH OFFICE
9.00 AM**

PRESENT:

Cllr S Schofield
Cllr I Underdown

In Attendance

Mrs A Jobling – Clerk to the Council
Mr R Clarke - Groundsman

To Receive Apologies for Absence

434/121/17 Apologies for absence were received from Cllr M Cross, Cllr G Woodall, Cllr D Phillips

Declaration of Interest

None

QUORATE

The meeting wasn't quorate so was suspended.

It was agreed that even though the Committee could not continue that the agenda would be discussed informally. No decisions were urgent so there was no need to delegate them to the Clerk.

The following was recommended to Council for consideration.

Tree policy

Paula Saunderson had sent over the draft policy. It was briefly discussed and it was agreed that any comments would be forwarded to the Clerk and the policy taken to the February meeting.

Street furniture

Southern Quay

It was agreed to continue the current style of bench at Southern Quay – wrought iron black frame but with plastic slats. These would replace the existing and installation needed to be included. Replacement benches prompted a discussion about the plaques and the memorial benches that will need to be moved. It was agreed that

Further benches could not be acquired

Fixing of the plaque should have a fee attached

No exclusive use.

We would need to map the existing plaque of the benches to be replaced as well as developing a policy.

College Playing Field

Chairman's Signature: Date:

A type of bench suitable for older people (higher) was agreed again using plastic slats. Only looking to replace 7 benches – 4 along the top and 3 down the path with replacement fencing needed to secure the site. Post and rail. To include a youth shelter to encourage young people to gather away from the main building.

Bin replacement – needed for the DDF and Westfield common – Dog bins. Also agreed bigger and opening bins for Westfield Common realigned to the foot ways. Agreed to relocate the bin from the first car park and move to the second bay. Two new bins would then be purchased for the first car park and sited near the walk through points. Needed to be metal and if possible with recycling and general waste.

Machinery – Further costs were needed before we could conclude the discussion but in principle members were happy that a bulk discount be explored with the sit on mower supplier for the other replacement equipment.

Parish Biodiversity Action Plan

Hamble-le-Rice Parish Council



Sarah Jackson
January 2018

Acknowledgements

Arcadian Ecology & Consulting Ltd were contracted by Jeanette Symes, Assistant Clerk, Hamble-le-Rice Parish Council, to deliver this work.

Publication Details

This document should be cited as: Jackson, S. (2018) *Parish Biodiversity Action Plan: Hamble-le-Rice Parish Council*. Arcadian Ecology & Consulting Ltd, Curdridge.

Arcadian Ecology & Consulting Ltd is a wholly owned subsidiary of Hampshire and Isle of Wight Wildlife Trust.

Maps reproduced under Ordnance Survey licence no. 100015632 with the permission of Her Majesty's Stationery Office, Crown Copyright 2018. Unauthorised reproduction infringes Copyright and may lead to prosecution or civil proceedings.

Front Cover: Hamble Green by Sarah Jackson

Published by:
Arcadian Ecology & Consulting Ltd.
Beechcroft House
Vicarage Lane
Curdridge
Hampshire
SO32 2DP

A company Ltd by guarantee & registered in England No. 10033962.

All assessments and recommendations provided are based on the information available to Arcadian Ecology & Consulting Ltd (Arcadian Ecology), and Arcadian Ecology endeavours to ensure all advice is accurate and appropriate at the time of publication. However, it is the sole responsibility of the recipient to ensure that any actions they take are both legally and contractually compliant, and Arcadian Ecology does not accept responsibility or liability for any losses incurred or arising from the advice we provide.

No part of this document may be reproduced without permission. Information contained in this report is intended for Hamble-le-Rice Parish Council. Records of protected and notable species may be forwarded to relevant recording organisations with site names removed. All other information in this report should not be passed on to any third party without the express permission of Hamble-le-Rice Parish Council and Arcadian Ecology. For information on how to obtain further copies of this document and accompanying data please contact Arcadian Ecology: arcadian@hiwwt.org.uk.

Document Control

Version	Author name	Date	Signed off by	Date
<i>Draft</i>	<i>Sarah Jackson</i>	<i>17.11.2017</i>	<i>Deborah Whitfield</i>	<i>22.11.2017</i>
<i>Draft V2</i>	<i>Sarah Jackson</i>	<i>24.11.2017</i>	<i>Deborah Whitfield</i>	<i>24.11.2017</i>
<i>Final</i>	<i>Sarah Jackson</i>	<i>19.01.2018</i>	<i>Deborah Whitfield</i>	

Executive Summary

Hamble-le-Rice Parish Council are keen to document, enhance and protect biodiversity within the Hamble-le-Rice parish. They intend to engage the local community, gather information on local wildlife and use this to produce a local biodiversity action plan. The council have sought advice from the Hampshire & Isle Wight Wildlife Trust's ecological consultancy Arcadian Ecology on how to achieve this and commissioned them to produce a Biodiversity Action Plan (BAP).

The first step in assessment was an extended Phase 1 habitat survey, this was undertaken on 28th September 2017 and identifies the key habitat types, potential species they could support and informs actions for the BAP.

The survey sites were primarily amenity grassland, but did also include areas of woodland, scrub, and coastal habitats such as saltmarsh, coastal woodland and shingle.

The information gathered during surveys was used to create an action table for the parish, including both location specific and parish wide actions.

Some actions are enhancing features that have already been created to benefit biodiversity such as changing mowing regimes; while others are new ideas for example the creation of a wildlife pond in the cemetery.

By implementing the actions of the BAP the parish will enhance the biodiversity value of the parish, both for the benefit of wildlife and people.

Table of Contents

1.	INTRODUCTION.....	1
1.1.	Background.....	1
1.2.	Site Description.....	1
1.3.	Remit and Scope of the Report	1
2.	BIODIVERSITY AND LEGISLATION.....	2
2.1.	Value of Biodiversity	2
2.2.	Planning & Biodiversity	4
2.2.1.	<i>Protecting Habitats and Species.....</i>	<i>5</i>
2.3.	Legal context for Protection of Biodiversity	5
2.3.1.	<i>European Directives.....</i>	<i>5</i>
2.3.2.	<i>UK Legislation</i>	<i>6</i>
3.	CURRENT STATUS OF BIODIVERSITY	7
3.1.	Background Data Search.....	7
3.2.	Phase 1 Habitat Survey Methodology	7
3.3.	Background Data Search Results	8
3.3.1.	<i>Protected and notable species.....</i>	<i>8</i>
3.3.2.	<i>Statutory and non-statutory designated sites.....</i>	<i>8</i>
3.4.	Phase 1 Habitat Survey Results.....	9
3.4.1.	<i>Summary.....</i>	<i>9</i>
3.4.2.	<i>Allotments.....</i>	<i>9</i>
3.4.3.	<i>Cemetery.....</i>	<i>10</i>
3.4.4.	<i>College playing field.....</i>	<i>10</i>
3.4.5.	<i>Donkey derby field</i>	<i>10</i>
3.4.6.	<i>Hamble green.....</i>	<i>10</i>
3.4.7.	<i>Heather gardens</i>	<i>10</i>
3.4.8.	<i>Mercury marshes</i>	<i>11</i>
3.4.9.	<i>Mount pleasant.....</i>	<i>11</i>
3.4.10.	<i>Westfield common.....</i>	<i>11</i>
4.	ACTION TABLE.....	12
4.1.	Hamble-le-Rice Action Table	13
5.	REFERENCES.....	24

MAPS

- Map 1: Parish Boundary
Map 2: Phase 1 Habitat Survey Locations

PHOTOGRAPHS

APPENDICES

- Appendix 1: Map showing extent of background data search area
- Appendix 2: Protected and notable species background data search results
- Appendix 3: Map showing location of statutory designated sites
- Appendix 4: Map showing location of non-statutory designated sites
- Appendix 5: Botanical species list compiled during Phase 1 habitat survey with a qualitative measure of abundance based on DAFOR scale
- Appendix 6: Bog garden creation
- Appendix 7: Natural England Technical Information Note TIN064: Sward enhancement

GLOSSARY

1. INTRODUCTION

1.1. Background

Hamble-le-Rice Parish Council are keen to document, enhance and protect biodiversity within the Hamble-le-Rice parish. They intend to engage the local community, gather information on local wildlife and use this to produce a local biodiversity action plan. The council have sought advice from the Hampshire & Isle Wight Wildlife Trust's ecological consultancy Arcadian Ecology on how to achieve this and commissioned them to produce a Biodiversity Action Plan (BAP).

1.2. Site Description

The parish of Hamble-le-Rice (SU 473 067) covers an area of approximately 550 hectares (Map 1). The parish lies within Eastleigh District Council, and sits on a peninsula bounded by the River Hamble to the east and Southampton Water to the west, with the neighbouring settlements of Netley and Bursledon to the north.

The parish comprises the main settlement running across the centre of the parish, with areas of greenspace either side of an oil terminal to the south, and amenity areas and educational facilities bounding a disused airfield to the north. There are marinas along the eastern boundary of the parish, on the River Hamble.

The parish has a strong association with the water, but is also well connected by greenspaces to the neighbouring parishes, including Royal Victoria Country Park to the west, and other areas of amenity grassland, farmland, woodland and natural green spaces.

1.3. Remit and Scope of the Report

This report will assess the current ecological status of nine Hamble-le-Rice parish council sites and make recommendations on how to improve the biodiversity of the parish through a Biodiversity Action Plan.

2. BIODIVERSITY AND LEGISLATION

2.1. Value of Biodiversity

The State of Nature report 2013 identifies the biodiversity losses the UK has suffered, with over 60% of species having declined in the last 50 years (Burns *et al.* 2013). The latest State of Nature report, published in 2016, further highlights the declines with 56% of species having declined between 1970 and 2013; 40% of which demonstrated a strong or moderate decline (Hayhow *et al.* 2016). This is significant not just for the species and the functioning of the environment, but for the human health, well-being and the economic sustainability of the UK.

The economic value of biodiversity has been brought in to focus through ecosystem services. They identify the importance of biodiversity not only for the production of food, fuel etc., but also for the health and well-being of the population.

Ecosystem services are fundamental to understanding the value of ecosystems and their components: water, soil, nutrients and organisms; and how these natural resources are utilised and managed for sustainable development with long-term benefits.

They can be classified in to 4 key services (Ecosystem Services 2013):

Supporting services: Key services for the production of all our services such as photosynthesis, soil formation and water cycling

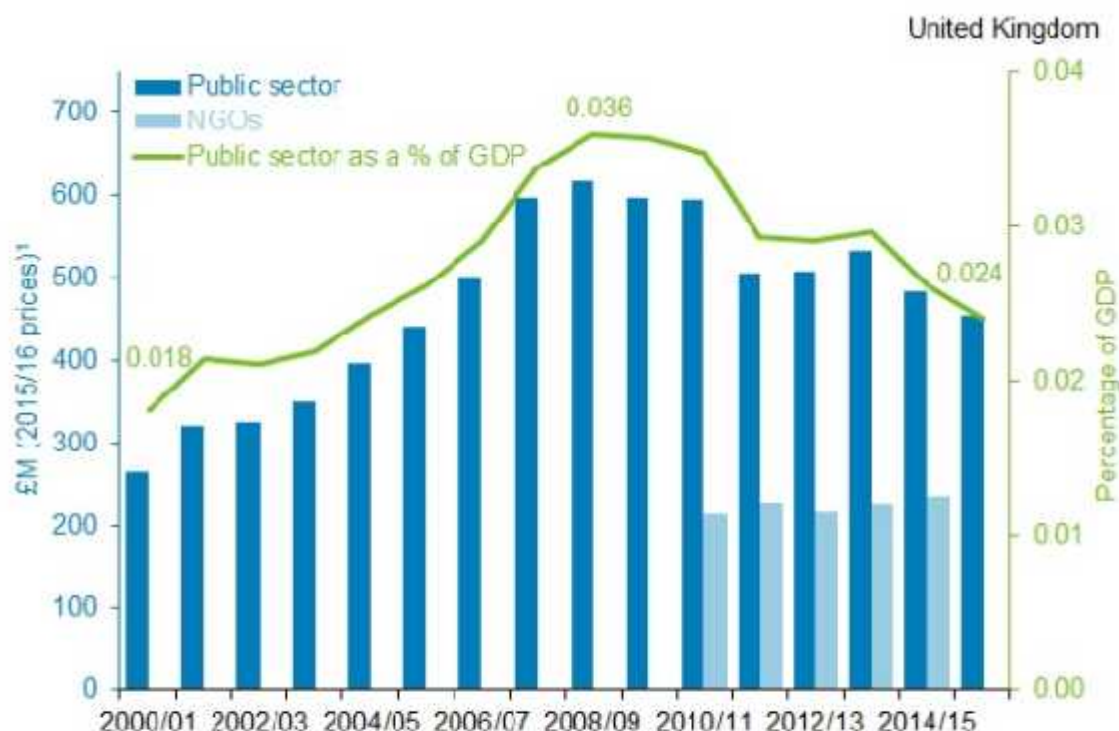
Provisioning services: Products sourced from ecosystems including fuel, food, fresh water and pharmaceuticals

Regulating services: Benefits gained from regulation of ecosystem processes such as climate regulation, disease regulation, pollination and water regulation

Cultural services: Non-material enhancements people gain from ecosystems which include recreational experiences, spiritual enrichment and cognitive development

www.ecosystems-services.org.uk

Biodiversity and the environment are underfunded, under-valued and not invested in. In the financial year 2015-16, the public sector spending on UK biodiversity was £453 million, equivalent to £2.40 in every £10,000 of Gross Domestic Product (GDP), which is a decrease of 6% since 2014-15 (JNCC 2017). Whilst this is a short term decrease there has been an overall long-term (since 2000-01) increase in spending on biodiversity in the UK (Figure 1). However, this figure is not reflective of the economic importance of biodiversity.



Notes:

1. Deflated using UK Cross Domestic Product Deflator.
2. Non-governmental spend is net of government funding.
3. Small revisions to past data as a result of improved estimation methodology can mean this chart is not directly comparable to previously published versions.

Source: Defra, Her Majesty's Treasury.

Figure 1. Expenditure on biodiversity in the UK, 2000-01 to 2015-16 (<http://jncc.defra.gov.uk/page-4251>)

Green spaces and contact with nature also provide a number of health and well-being benefits. A study by the University of Essex on behalf of The Wildlife Trusts, identified that volunteering improved people’s mental wellbeing in 6 to 12 weeks. In addition to higher levels of mental wellbeing, the study also found a range of other benefits to nature volunteering, including increased feelings of positivity, levels of physical activity and contact with nature (Rogerson *et al.* 2017).

The Every Child Outdoors report identified the positive impacts that contact with nature has on young people’s education, health and well-being, and personal and social skills, creating more responsible citizens. Children who connected with nature were also more likely to be interested in the environment and take part in nature-based activities (RSPB 2010).

Citizen science plays a key role in the recording and understanding of UK wildlife. With over 70,000 species of plant, animal and fungi currently found in the UK, it is essential for monitoring how species are responding to the ecological pressures currently faced in the UK. There are currently over 200 voluntary wildlife recording initiatives in the UK, recording 4.5 million wildlife observations annually (Hayhow *et al.* 2016). In Hampshire there are a number of specialist recording groups such as Hampshire mammal group, Hampshire bat group and Hampshire fungus recording group, as well as opportunities to submit data particularly with the promotion of online recording systems such as Living Record.

2.2. Planning & Biodiversity

Biodiversity is a key consideration in local decision making. Any new build or renovation plans in the parish should take the following into consideration.

The **National Planning Policy Framework** (NPPF) sets out the Government's requirements for the planning system and the development of local and neighbourhood plans. It sets out the purpose of the planning system; to achieve sustainable development through 3 key areas; economic, social and environmental. The environmental strand includes the protection and enhancement of the natural environment and improving biodiversity.

The NPPF highlights key points for consideration in relation to green space and biodiversity:

- the *promotion of healthy communities* requiring access to high quality open spaces including the ability to designate land as Local Green Space;
- the *protection of green belt land* to assist in safeguarding the countryside from encroachment, prevent neighbouring towns merging, preserve the setting and character of historic towns, assist in urban regeneration and to check the unrestricted sprawl of large built-up areas; and
- *conserving and enhancing the natural environment* through protection of valued landscapes, recognition of the benefits of ecosystem services, minimising impacts on biodiversity and providing net gains where possible.

Natural Environment White Paper (The Natural Choice: Securing the value of nature) provides a 'clear framework for protecting and enhancing the things that nature gives us for free' (www.gov.uk). Published in 2011, it outlines the Government's vision for the natural environment over the next 50 years and links with the National Ecosystem Assessment (UK NEA 2011) and Making Space for Nature (Saltmarsh, N. 2011).

Key measures in the White paper include:

- **Reconnecting Nature**
 - Nature Improvement Areas
 - Biodiversity offsetting
 - New local nature partnerships
 - Phasing out use of natural peat
- **Connecting people and nature for better quality of life**
 - Green areas designation
 - Green spaces
 - More children experiencing nature by learning outdoors
 - Strengthening local public health activities
 - New environmental volunteering initiative "Muck in 4 life"
- **Capturing and improving the value of nature**
 - natural capital committee
 - an annual statement of green accounts for UK Plc
 - a business-led task force

Green Infrastructure is the planning and delivery of a network of high quality green spaces and other environmental spaces at the strategic level which support the well-being of local communities. The areas should be publicly accessible and multi-functional. Winchester undertook a Green Infrastructure (GI) Study in 2010 to identify local assets and provide a locally distinctive definition of Green Infrastructure in support of policies in the Local Plan. For the district, GI encompasses the natural and semi-natural areas within and between settlements which benefit health and well-being, support sustainable travel, green tourism and adaptation to climate change (Enfusion 2010).

Making Space for Nature (Lawton review) was a review of England's wildlife sites and ecological network submitted to DEFRA by Sir John Lawton in 2010. The review introduced the concept of "More, bigger, better and joined"

Two key elements to the review were rebuilding nature and establishing an ecological network, with key factors identified to achieving them.

Rebuilding nature

Five key approaches:

- Improve quality of current sites through better habitat management
- Increase the size of current wildlife sites
- Enhance connections between sites via corridors or stepping stones
- Create new sites
- Improve the wider environment to reduce pressure on wildlife, including the buffering of wildlife sites

Establishing a coherent and resilient ecological network

This should be underpinned by 3 key objectives:

- to restore appropriate species and habitats
- to restore and secure the long-term sustainability of ecological and physical processes (enhancing the ability to deliver ecosystem services)
- provide access natural environments rich in wildlife for all

(Lawton, J. 2010)

The **England Biodiversity Strategy 2020** identifies how international and EU commitments are being implemented, setting out the strategic direction for biodiversity policy on land and at sea. Its mission is 'to halt overall biodiversity loss, support healthy well-functioning ecosystems and establish coherent ecological networks, with more and better places for nature for the benefit of wildlife and people.' (DEFRA 2011c)

Biodiversity Opportunity Areas (BOAs) are the regional priority areas of opportunity for restoration and creation of Biodiversity Action Plan habitats (SEB Strategy 2013), which is undertaken on a landscape-scale enabling the development of ecological networks. There are two partially within Hamble-le-Rice parish boundary: Hamble Valley and The Solent.

Living Landscapes is a Wildlife Trust initiative to restore, recreate and reconnect isolated habitats to make the whole landscape more wildlife-friendly. There is one partial living landscape area in the parish: East Solent Havens and Harbours.

2.2.1. Protecting Habitats and Species

The threat from development to protected habitats and species is on-going, resulting in habitat loss, reduction and fragmentation.

Obtaining protected species information to help support a case against inappropriate development and/or inappropriate mitigation is important. More information on how to comment on planning applications can be found on the Hampshire & Isle of Wight Wildlife Trust's website: <http://www.hiwwt.org.uk/we-influence-planning-systems>

In order to establish what species are present, a first step would be to request a background data for protected and notable species from Hampshire Biodiversity Information Centre (HBIC), the counties central repository for species records. Bat records are available separately from Hampshire Bat Group. This could then be supplemented by up-to-date surveys by local species groups, such as Hampshire bat group, volunteers and/or independent surveyors.

2.3. Legal context for Protection of Biodiversity

2.3.1. European Directives

The parish has three designated sites partially within its boundary; Solent and Southampton Water SPA, Solent and Southampton Water Ramsar and Solent Maritime SAC.

European designated sites are the Special Areas of Conservation (SAC), Special Protection areas (SPA) and Ramsar sites (areas of international wetland importance). Together, these are known as 'Natura 2000' sites and are protected by European legislation. These directives all have implications

for local decision making and special care must be taken to ensure decisions and plans do not adversely impact on these European sites, the species or features for which they have been designated.

Directive 92/43/EEC on the Conservation of Natural Habitats and of Wild Fauna and Flora (the 'Habitats Directive') and **Directive 2009/147/EC on the Conservation of Wild Birds (the 'Birds Directive')**; These directives provide for the protection of European species and the habitats that support them including their habitats outside the designated areas.

Directive 92/43/EEC (the Water Framework Directive); This requires member states to achieve stated targets for the protection and improvement of inland and coastal waters. The directive identifies 30 measures to assess and classify waterbodies, which includes their ecological status.

(Note: Full information on these directives can be found on the Joint Nature Conservation Committee (JNCC) website.)

The Hamble Estuary Partnership has guiding principles to ensure a collective approach. This includes one focusing on nature conservation, which at its broadest level is to encourage and enhance nature conservation interests of the Hamble in a sustainable manner (HCC 2015).

This legislation is translated into UK law by **The Conservation of Habitats and Species Regulations 2010** (commonly known as 'The Habitats Regulations').

The Conservation of Habitats and Species Regulations 2010

Where impacts cannot be avoided or satisfactorily reduced/mitigated, the competent authority will need to ascertain that the plan or project will not have a negative impact on the designated site populations, which would otherwise constitute an adverse effect on the integrity of the international site as a whole.

**Council Directive 92/43/EEC on the Conservation of Natural Habitats and of Wild Fauna and Flora (the 'Habitats Directive'); and Directive 2009/147/EC on the Conservation of Wild Birds (the 'Birds Directive').*

2.3.2. UK Legislation

The **Natural Environment and Rural Communities (NERC) Act 2006** requires every local authority to have regard to conserving biodiversity in the execution of their functions. Section 41 of the act lists 65 priority habitats and 1150 priority species, all of which are identified on the 'UK Post-2010 Biodiversity Framework' which succeeded the UK Biodiversity Action Plan, which should be taken into consideration by local authorities when implementing their duty under the NERC Act.

The **Wildlife and Countryside Act 1981** aimed to consolidate and amend national legislation to implement the Convention on the Conservation of European Wildlife and Natural Habitats (Bern Convention) and Council Directive 79/409/EEC on the conservation of wild birds (Birds Directive), which has since been replaced by Directive 2009/147/EC. This piece of legislation has been amended numerous times, and there is a statutory five year review of Schedules 5 and 8 (protected wild animals and plants) and period review of Schedule 9 (non-native species).

3. CURRENT STATUS OF BIODIVERSITY

The current status of biodiversity in the parish has been assessed through undertaking a series of botanical surveys at nine key sites identified by the parish council, to establish the habitats and potential species they can support, and are present in the parish.

Whilst these methods will not capture everything present, they will give an indication of current biodiversity interest and highlight areas for improvement for inclusion in the action plan.

3.1. Background Data Search

A data search of Hampshire Biodiversity Information Centre (HBIC) protected and notable species GIS layer was undertaken for records within 2km of the parish. Species included in the search parameters are:

- species that are protected by international law;
- species listed in European directives and legislation;
- nationally protected species under The Wildlife & Countryside Act 1981 (as amended), Badgers Act 1992 and The Deer Act 1991;
- all species listed as Red or Amber on the Birds of Conservation Concern 2002-2007;
- plant species that are Nationally Rare or Nationally Scarce; and
- species that have Action Plans under the UK Biodiversity Action Plan (UKBAP) or are Priority Species under the Hampshire Biodiversity Action Plan (HBAP).

A data search was made for statutory (those that are internationally and nationally important sites for ecology) and non-statutory (those that are important in a local context) sites designated for nature conservation within 1km of the site boundary. This search included Special Protection Area (SPAs), Special Areas of Conservation (SACs), Ramsar, Sites of Special Scientific Interest (SSSIs), National Nature Reserves (NNRs), Local Nature Reserves (LNRs) and Sites of Importance for Nature Conservation (SINCs).

A map indicating the extent of the data search areas is provided in Appendix 1.

3.2. Phase 1 Habitat Survey Methodology

An extended Phase 1 habitat survey was conducted on 28th September 2017 by Sarah Jackson (MCIEEM) and Deborah Whitfield of Arcadian Ecology & Consulting Ltd.

Nine key areas were identified by the parish council as priority for survey (Map 2). These were:

- Allotments
- Cemetery
- College playing field
- Donkey derby field
- Hamble green
- Heather gardens
- Mercury marshes
- Mount pleasant
- Westfield common

The Joint Nature Conservation Committee (JNCC) methodology for Phase 1 habitat survey was followed (Joint Nature Conservation Committee, 2010). A walkover survey of the site was undertaken, with areas classified and mapped using a standard set of colours on a Phase 1 Habitat Map to indicate the habitat types present. For each different habitat type a species list was compiled, with particular reference to protected, notable or BAP species; this list will not give every species found on the site, but will give a representation of the diversity, significance, and dominance of plant species found within each habitat type. The location of descriptions relating to specific areas and features of interest or note were annotated on the Phase 1 Habitat Map using Target Notes.

Plant nomenclature in this report follows Rose (1989; 2006) for native and naturalised species of vascular plant. Plant names in the text are given with the common names first, followed by the

scientific name in italics. Where there is a degree of doubt in the identification of a plant, 'cf.' precedes the specific epithet to signify the plant is very probably the species indicated, but it was not possible to distinguish it from similar members of the genus with certainty.

3.3. Background Data Search Results

3.3.1. Protected and notable species

The background data search returned 5767 records for 456 protected and/or notable species, within 2km of the parish boundary. Of these, there were 444 records of 154 species specified as being within the parish. A breakdown by group is given in Table 2. .

Table 2. Background data search results

Group	Number of Species	Number of Species Specified as in Parish
Amphibians & Reptiles	7	3
Birds	140	77
Higher Plants - Ferns	3	-
Higher Plants - Flowering Plants	126	34
Higher Plants – Horsetails	1	-
Invertebrates – Araneae (Spiders)	1	-
Invertebrates – Blattaria (Cockroaches)	3	3
Invertebrates – Coleoptera (Beetles)	41	9
Invertebrates – Dermaptera (Earwigs)	1	1
Invertebrates – Diptera (Flies)	5	2
Invertebrates – Hemiptera (True bugs)	9	1
Invertebrates –Hymenoptera (Bees)	13	1
Invertebrates – Lepidoptera (Butterflies & Moths)	71	9
Invertebrates – Mollusca	2	-
Invertebrates – Odonata (Dragonflies & Damselflies)	5	1
Invertebrates – Orthoptera (Grasshoppers & crickets)	2	1
Lichens	1	1
Lower Plants – Liverworts, Hornworts & Mosses	9	1
Mammals – Marine	2	1
Mammals - Terrestrial (bats)	9	8
Mammals - Terrestrial (non-bats)	5	1

Full results are provided in Appendix 2.

3.3.2. Statutory and non-statutory designated sites

There are four statutory designated sites at least partially within the parish boundary, Lee-on-the-Solent to Itchen Estuary SSSI, Solent Maritime SAC, Solent & Southampton Water SPA and Solent & Southampton Water Ramsar. In addition, Lincegrove and Hackett's Marshes, and Hythe to Calshot Marshes SSSI are within 2km of the parish boundary. As shown on the map in Appendix 3.

Seven non-statutory designated sites, SINCs, are found either entirely or partially within the parish boundary, as detailed in Table 4 and shown on the map in Appendix 4. In addition, there are a further 40 SINCs within 2km of the parish, which have been included on the map in Appendix 4.

Table 4. SINC's within Hamble Le Rice parish boundary

SINC Ref	SINC Name	Central Grid Ref.	SINC Criteria	Notables
EA0077	Hamble Common North	SU48200640	2A	
EA0083	Mercury Marsh South	SU48450745	4A	
EA0076	Hamble Common West	SU48200620	3A/3Bii	
EA0085	Mercury Marina Saltmarsh	SU48600800	4A/6A	Althaea officinalis (Marsh-Mallow) [NS]; Lotus glaber (Narrow-Lvd Bird's-Foot-Trefoil) [CS]; Oenanthe lachenalii (Parsley Water-Dropwort) [CS]; Polypogon monspeliensis (Annual Beard-Grass) [NS]; Puccinellia distans (Reflexed Saltmarsh-Grass) [CS]
EA0055	Petters Copse	SU47300670	1A	
EA0147	Netley to Hamble Shore	SU46470734	4A	
EA0047	West Wood (Royal Victoria Country Park)	SU47000750	1A/1Cii/5B	

3.4. Phase 1 Habitat Survey Results

A summary of the Phase 1 habitat survey, plus more detailed descriptions of each of the survey sites is provided below. A full species list is provided in Appendix 5.

3.4.1. Summary

Habitats

There are a range of habitats present across the parish, including amenity grassland, woodland, scrub, and coastal habitats such as saltmarsh, coastal woodland and shingle. The most dominant habitat, amenity grassland, is of limited ecological value, however the edge habitats which include hedgerows and trees create diversity, structure and cover, which is able to support a range of species.

Protected and Notable Species

No protected or notable species were recorded during the Phase 1 habitat survey. However, based on the habitat types and features identified around the parish, it is considered that the parish has the potential to support common amphibians, common and widespread reptiles, bats, birds including wader species, and common and widespread invertebrates.

Conclusion

Hamble-le-Rice has a range of habitats, with linked areas of green space within the parish and to the wider landscape offering opportunities for species to move around the landscape. Whilst many of the high ecological value habitats are not extensive, they offer important space for foraging and shelter, particularly for invertebrates, which in turn provides a food source for bats and birds.

Further enhancements to the parish could be made, and more detail is included in the biodiversity action tables.

3.4.2. Allotments

The allotments are an approximately 0.5 hectare area divided into plots, growing a variety of fruits, vegetables and flowers (Photograph 1). The area is bounded by grasses, forbs, ruderals and trees,

including cock's-foot *Dactylis glomerata*, false oat grass *Arrhenatherum elatius*, herb-robert *Geranium robertianum*, ivy *Hedera helix*, common nettle *Urtica dioica* and ash *Fraxinus excelsior*.

3.4.3. Cemetery

The cemetery to the south of St Andrews Church is mainly an area of rough grassland bounded by trees and hedgerows, over an area of 0.4 hectares. The grounds team have already reduced the mowing regime to create zones of longer grass which are already attracting wildlife, including an emperor dragonfly *Anax imperator* seen during the survey. The area to the north, around the headstones, is more frequently mown (Photograph 2).

There are a range of grasses and forbs, the most abundant being cock's-foot, common knapweed *Centaurea nigra*, lesser stitchwort *Stellaria graminea*, wood avens *Geum urbanum* and yarrow *Achillea millefolium*. The hedging and trees which bound the site are dominated by cherry laurel *Prunus laurocerasus*, conifer *Cupressus sp.* and hornbeam *Carpinus betulus*.

3.4.4. College playing field

The college playing field is an approximately 3.2 hectare area of amenity grassland. It is dominated by short mown grasses, such as annual meadow grass *Poa annua*, cock's-foot and perennial rye grass *Lolium perenne*. It is bounded by fencing to the north and east, with shrubs and trees to the south and west, comprising species such as cherry *Prunus sp.*, field maple *Acer campestre*, lime *Tilia sp.* and rowan *Sorbus aucuparia*.

The area to the east of the playing field, where the community orchard is proposed, is distinguished by longer vegetation with grasses and forbs including creeping buttercup *Ranunculus repens*, common mallow *Malva sylvestris*, redshank *Persicaria maculosa* and scarlet pimpernel *Anagallis arvensis*, and scattered trees including pear *Pyrus sp.* and hornbeam (Photograph 3).

3.4.5. Donkey derby field

Donkey derby field covers approximately 0.7 hectares. It is an area of amenity grassland but does not have a short mown sward allowing a more diverse mix of grass and forbs to develop (Photograph 4). The field is occasionally used as overflow parking for events. The field contains species typical of amenity grassland with grasses being dominant, including annual meadow grass, cock's-foot, common bent *Agrostis capillaris*, red fescue *Festuca rubra agg.* and Yorkshire fog *Holcus lanatus*, but interspersed with forbs and ruderals such as broad-leaved dock *Rumex obtusifolius*, common nettle *Urtica dioica*, dandelion *Taraxacum agg.* and ribwort plantain *Plantago lanceolata*.

The area is bounded by hedgerow, trees and fencing. The hedgerow includes a number of garden variants, due to the west of the site being adjacent to housing. This includes box *Buxus sp.*, cotoneaster *Cotoneaster sp.*, garden privet *Ligustrum ovalifolium* and a gorse species *Ulex sp.*

The presence of common bent, Sheep's sorrel *Rumex acetosella* and gorse species suggest slightly more acidic conditions within the grassland.

3.4.6. Hamble green

Hamble green is a small, 0.3 hectare, village green to the south east of the village. It comprises short mown amenity grassland including annual meadow grass, common bent, ribwort plantain, white clover *Trifolium repens* and yarrow, with scattered trees, namely copper beech *Fagus sylvatica f. purpurea*, pedunculate oak *Quercus robur*, small-leaved lime *Tilia cordata*, sycamore *Acer pseudoplatanus* and a hybrid lime species *Tilia sp.* (Photograph 5).

3.4.7. Heather gardens

Heather gardens is an area of historical garden which, through succession, has developed into a small woodland of 0.9 hectares (Photograph 6). The canopy is dominated by sycamore, with some very large specimens within the woodland. Other trees within the canopy include beech *Fagus sylvatica*, maple species *Acer sp.*, pedunculate oak, pine species *Pinus sp.* and silver birch *Betula pendula*. There are smaller trees scattered throughout the site, such as elder *Sambucus nigra*, elm *Ulmus sp.*, hazel *Corylus avellana* and yew *Taxus baccata*. The shrub and ground flora layers are less extensive, but include bracken *Pteridium sp.*, bramble *Rubus fruticosus*, Butcher's-broom *Ruscus*

aculeatus, ivy, male fern *Dryopteris filix-mas*, sweet flag *Acorus calamus* (county and south Hampshire scarce) and wood avens.

There is an area of bamboo *Bambusoideae sp.* to the south of site which is already subject to management to try and control its spread. Cherry laurel *Prunus laurocerasus* and rhododendron *Rhododendron ponticum* are also present, and their extent and spread should be monitored.

3.4.8. Mercury marshes

Mercury marshes is a 1.2 hectare area of scrub, woodland and reedbed with grass footpaths on the banks of the River Hamble (Photograph 7). It is adjacent to the more extensive Hampshire County Council Mercury Marshes Local Nature Reserve, and as such the reedbeds within the parish council's ownership are managed by the County Council, as part of their cutting regime.

The reedbed of common reed *Phragmites australis* dominates the eastern area of the site. Moving inland from the river and reedbed, there is a mix of smaller habitats including wet woodland dominated by willow species *Salix sp.*, scrub and trees over a ditch leading to the river which has both native and garden species including pendulous sedge *Carex pendula*, pampus grass *Cortaderia selloana*, rhododendron, cherry *Prunus sp.*, bamboo, fig *Ficus carica* and field maple; hedge planting comprising dogwood *Cornus sanguinea*, blackthorn *Prunus spinosa*, hazel and broom *Cytisus scoparius spp scoparius*; all habitats are interspersed with footpaths of short grass such as cock's-foot and creeping bent *Agrostis stolonifera*, with occasional forbs including red clover *Trifolium pratense*, cat's ear *Hypochaeris radicata* and redshank.

3.4.9. Mount pleasant

Mount pleasant is an amenity grassland, play area, car park and woodland covering 5.2 hectares (Photograph 8). The grassland is kept short, as it used for football at the weekends, with grasses such as annual meadow grass, cock's-foot and common bent most prolific in the sward. There is a small woodland to the west of the site, and scrub and trees to the south of the site. These areas include species such as apple *Malus pumila*, ash, bramble *Rubus fruticosus*, cherry, elder, elm, horse chestnut *Aesculus hippocastanum*, ivy, nettle, pedunculate oak and sycamore. The ground flora, comprising grasses, forbs and ruderals, is also longer in these areas.

3.4.10. Westfield common

Westfield common is on the shores of Southampton Water. It is an approximately 2.7 hectare of coastal woodland, coastal grassland and shingle (Photograph 9). It comprises a diverse mix of species including coastal, salt tolerant specialists such as sea beet *Beta vulgaris subsp. Maritime* and sea couch *Agropyron pungens*. The woodland and adjacent grassy footpaths include a range of trees, shrubs, scrub, ruderals, grasses and forbs, reflecting its coastal location, but also its close proximity to gardens and being used as an amenity space. Species found in the area include ash, blackthorn, bracken, Butcher's-broom, cock's-foot, ragwort *Senecio jacobea*, gorse, holly, ivy, pedunculate oak, sycamore, white clover and wood avens.

4. ACTION TABLE

Based on the results of the background data search, extended Phase 1 survey and discussions with the parish council, suitable actions have been developed that will improve the biodiversity interest of the parish. Actions are focussed on providing a connected space for wildlife across the parish.

Some of the actions listed are already underway; others are potential projects, while others are aspirational, they represent ideal actions given sufficient resources and time. The actions listed represent the current priorities. Priorities will, however, change for many reasons, hence the need for regular review of this BAP.

The action table has been divided into site specific actions for the sites surveyed and more generic actions that can be applied parish-wide.

Each action table is divided into 5 main columns; Objective, Action, Outcome, Targets and Reporting Method. Objectives are the overall aim of undertaking the action, actions are the key activities that need to be undertaken, outcomes are the benefits to biodiversity that will be achieved, the targets are the steps that need to be fulfilled by the end of the stated years, and the reporting method identifies how progress towards the final objective is going to be monitored. Some targets also include management suggestions on how best to achieve the target, these should be incorporated into the management plans for the sites.

4.1. Hamble-le-Rice Action Table

	OBJECTIVE	ACTION	OUTCOME	TARGET (YEARS)			REPORTING METHOD	
				1- 2	3 – 5	6 – 10		
Cemetery	More space for wildlife	Create a bog garden in suitable location not assigned to burial plots	Increased habitat for amphibians, dragonflies and damselflies Peaceful place for visitors to sit	Bog garden created in suitable area. <i>Management:</i> Dig out hole for bog garden, line and refill with soil. Plant with suitable native species. Further details in Appendix 6	Bog garden with established vegetation.	Bog garden able to support a diversity of species including invertebrates, amphibians & plants.	Annual biodiversity check	Burial Comm to consider in conjunction with reps of St Andrews
Cemetery		Install a raised bird bath	Fresh water for birds for drinking and bathing Close contact with nature for visitors	Locate bird bath near to a hedge but far enough away so that it is in the open so birds are not vulnerable to predators e.g. cats, hiding in the hedge			Annual biodiversity check	Burial Comm to consider

Cemetery		Retain areas of longer grass for wildlife	Shelter and food source for invertebrates, birds and small mammals	<p>Reduce mowing frequency to allow wildflowers to grow and set-seed</p> <p>Areas retained for over-wintering invertebrates and seed source for birds</p> <p><i>Management:</i> Cut each autumn, but retaining an area of approximately 25% uncut</p>			Annual biodiversity check	Larger area of grass to be left uncut
----------	--	---	--	---	--	--	---------------------------	---------------------------------------

Donkey Derby Field		Acid grassland restoration	Species rich grassland	Test soil for current pH and suitability for restoration	Allow taller sward height around edges (ecotones)	Maintain grassland through mowing regime	Annual biodiversity check	RC to test soil
		HBIC habitat opportunity mapping identifies the area as suitable for acid grassland		Depending on soil pH will need to modify mowing regime and/or strip and re-seed to introduce species (See advice in Appendix 7)	Mow circular path into grassland to manage access Periodic creation of areas of bare ground Appropriate mowing regime as sward develops	<i>Management:</i> Mow 80% of sward on rotation (uncut area changed each time) in May and September		Bottom right corner close to Heather Gardens to be left uncut
College playing field		Install bee hives in new orchard	Community engagement Encouraging natural pollination			Install bee hives when orchard trees have become established		Annual biodiversity check
Heather gardens		Increased standing dead wood	Retention of trees as habitat for invertebrates, birds and bats		Any trees identified as hazardous retained as monoliths if safe to do so <i>Management:</i> Additional holes drilled to create cavities and stimulate rotting		Annual biodiversity check	

Mount Pleasant		Create a bog garden in suitable wet location	Increased habitat for amphibians, dragonflies and damselflies	Bog garden created in suitable wet area. <i>Management:</i> Dig out hole for bog garden, line and refill with soil. Plant with suitable native species. Further details in Appendix 6	Bog garden with established vegetation.	Bog garden able to support a diversity of species including invertebrates, amphibians & plants.	Annual biodiversity check	Consider suitable locations. Work with school? And/ or volunteer groups. Eg Scouts, corporate community days
Parish-wide		Installation of bat boxes	Increased roosting provision for bats	Install 5 bat boxes across the parish	If bat boxes not being used by year 5, site in a different location		Bat box check	Hampshire Bat Group contacted – no response so far Conservation volunteers
Parish-wide		Installation of bird boxes	Increased nesting provision for birds	Erection of at least 4 boxes across the parish			Bird box check	Contact Hamble Conservation Volunteers?

Parish-wide		Create holes in garden fences for hedgehogs	<p>Hedgehogs able to move around the landscape</p> <p>Part of a national scheme 'Hedgehog Street' www.hedgehogstreet.org</p> <p>Opportunity for engagement with neighbours and local community</p>	Cut 13cm x 13cm holes at base of fence, at approximately 20 metre intervals.			Annual biodiversity check	<p>Raise awareness through magazine.</p> <p>Include in planning responses or Village Design Plan?</p>
Parish-wide		Develop ecotones (transitional habitats) along boundaries of amenity spaces	<p>Increased cover for invertebrates and small mammals</p> <p>Food source for invertebrates, birds and small mammals</p>	Reduce mowing frequency along base of hedge extending up to 1 metre into field to develop gradient in vegetation from hedge into tall ruderals, herbs, long grass and amenity grassland.			Annual biodiversity check	<p>Barnaby's Field</p> <p>Rail Trail both sides</p> <p>Woodpecker Walk Strip by privet /edge of Spitfire Way</p> <p>College Playing Fields Orchard area</p> <p>Mount Pleasant Bank GE side</p>

Parish-wide		Provision of log piles in rough grassland area	More shelter and space for amphibians, reptiles and invertebrates		Installation of at 3 log piles		Annual biodiversity check	Log piles : Heather Gardens Village Green (5/02/2018) Photos for website and explanation in V Mag Barnaby's Field Rail Trail Woodpecker Walk
Parish-wide	Provision of food sources for wildlife	Appropriate species planting to habitats and landscape	Connected habitats to aid movement of wildlife through the landscape	Only use locally sourced, native species for new and replacement planting			Annual biodiversity check	Publish details of native species on Parish Council website Landscaping plans for new developments request native species
Heather gardens	Create a woodland management plan	Write a woodland management plan Once plan is written, can potentially apply for funding through countryside stewardship	Woodland designed and managed for the benefit of people and wildlife Glade and ride creation allowing more light for understorey plants and attracting invertebrates Formal access paths to manage access and protect ground flora from trampling and reduce disturbance to breeding birds.	Produce a woodland management plan	Explore funding opportunities if required e.g. countryside stewardship Implement woodland management plan		Approved woodland management plan Annual biodiversity check	Richard to investigate

Heather gardens		Prune trees to allow more light to reach ground and understorey to develop and/or consider planting native species (with deer guards)	Increased diversity of habitats		Trees pruned to create some lighter areas	Understorey developing. Planting may be required if not occurring naturally e.g. honeysuckle, holly, hazel 'Layers' within woodland	Annual biodiversity check Detailed in woodland management plan	Agree programme of work with other organisations to remove the non - native species and clear the undergrowth
Heather gardens		Undertake a tree inventory, logging and assessing mature trees for veteran tree status. Share with HBIC and assign TPO (where appropriate)	Protection of important trees in the parish	Produce an inventory of mature trees within Heather Gardens			Tree Inventory Detailed in woodland management plan	Volunteer Tree Warden or Work with Hamble Conservation Volunteers
Heather gardens		Introduce coppicing regime	Increased diversity of habitats	Introduce 8-10 year coppicing regime for existing hazel Create mosaic of coups for coppice rotation	Plant additional species suitable for coppicing e.g. sweet chestnut, hazel and willow, if required		Annual biodiversity check Detailed in woodland management plan	

Parish-wide	Create ecotones	Reduce management around hedge bases to soften edges and vary structure	Increased cover for invertebrates and small mammals Food source for invertebrates, birds and small mammals	Reduce mowing frequency along hedges to develop gradient in vegetation from shrubs to tall ruderals, herbs, long grass and amenity grassland			Annual biodiversity check	
College playing field	Community engagement	Plant a community orchard	Increased engagement and sense of ownership of green spaces Additional food source for birds and invertebrates	Saplings planted		Productive fruit trees	Annual biodiversity check	First phase complete Second phase autumn 2018
Parish-wide		Create a volunteer work party to undertake clean-ups of the beach and village	Increased engagement and sense of ownership of green spaces	Hold first beach clean-up linked with Marine Conservation Society's 'Great British Beach Clean'	Organise twice annual clean-ups		Volunteer records	Regular beach cleans already organised by conservation volunteers. Consider reporting results ie how many sacks, unusual finds etc in V Mag and website

Parish-wide		Information exchange – contact local Wildlife Trust for press releases and suitable news articles that cover topics such as disposal of garden waste	Awareness of wildlife issues e.g. effects of non-native species on local wildlife, value of wildlife gardening etc.	Regular articles in parish magazine and on website on relevant topics e.g. encouraging appropriate disposal of garden waste			Publications in magazine and webpage	Jeanette & Jack Initially report outcome of survey and planned actions.
Parish-wide		Create page on parish website for recording species and links to useful information and websites	Increased engagement and sense of ownership of green spaces	Develop page to allow submission of records and photos. Link to online recording system – Living Record	Update with articles or links to local/national projects and sightings of interest		Webpage counter	Investigate examples already in place. Set up separate page for each specific area
Parish-wide		Invest in trail cameras and set-up loan scheme for local residents	Increased engagement with local community Generate more species records for the parish				Number of species records for parish	
Parish-wide		Invite specialist groups to survey a site e.g. Hampshire bat group, Hampshire fungus recording group	Generate more species records for the parish	Invite Hampshire bat group to undertake a walk around heather gardens and Hamble green			Number of species records for parish	Hampshire Bat Group contacted but no response to date Butterfly Conservation Blue Marine RSPB

Parish-wide		Hold a BioBlitz to increase knowledge of species found in the parish	Increased awareness of natural environment Engagement with local community		Organise day to hold BioBlitz, contacting local experts and organizations to help with species ID Recruit volunteers to assist on day	Hold BioBlitz Disseminate results to participants	Count of attendees	
Parish-wide		Traditional woodland crafts event	Learn new skills Engagement with local community		Hold event using coppiced material from Heather Gardens to make crafts		Count of attendees	
Cemetery	Encouraging recycling of natural waste	Build compost bin	Encourage appropriate disposal of garden waste Additional habitat for wildlife Source of compost for future planting	Build compost bin in suitable location within cemetery			Annual biodiversity check	Burial Ground Comm Already committed to install compost bins. Design shortlisted Discuss with reps of St Andrews Order or commission bins
Heather gardens	Remove garden variants and non-native species	Continue to tackle bamboo until permanently removed from site Remove Rhododendron and cherry laurel	Invasive, non-native species removed	Remove non-native species before they spread	Monitor for recurrence, and remove/treat as necessary		Annual biodiversity check	

Parish-wide		Remove non-native species: bamboo, cherry laurel, pampas grass and Rhododendron	Invasive, non-native species removed from parish	Remove non-native species before they spread	Monitor for recurrence, and remove/treat as necessary		Annual biodiversity check	
Parish-wide		Use native species only for hedgerow planting Encourage local residents to use native species in their own gardens	Increased food sources for invertebrates and birds More native species, diverse hedgerows	Any new or replacement hedgerow planting should be with native species only. Use variety of species to create diversity of seed and fruit producing species		More species diverse hedges	Annual biodiversity check	

5. REFERENCES

- **Burns, F., Eaton, M.A., Gregory, R.D. et al. (2013).** *State of Nature report.* The State of Nature Partnership http://www.rspb.org.uk/Images/stateofnature_tcm9-345839.pdf
- **CIEEM. (2013).** Code of Professional Conduct. CIEEM.
- **DEFRA (2007).** *An Introductory Guide to Valuing Ecosystem Services PB12852*
- **DEFRA (2012).** *Public sector expenditure on UK biodiversity 2000-01 to 2010-11*
- **Department for Communities and Local Government (2012).** *National Planning Policy Framework*
- **Ecosystem services** <http://www.ecosystems-services.org.uk/ecoserv.htm> [accessed 21st September 2016]
- **Hayhow DB, Burns F, Eaton MA, Al Fulaij N, August TA, Babey L, Bacon L, Bingham, C, Boswell J, Boughey KL, Brereton T, Brookman E, Brooks DR, Bullock DJ, Burke, O, Collis M, Corbet L, Cornish N, De Massimi S, Densham J, Dunn E, Elliott S, Gent, T, Godber J, Hamilton S, Havery S, Hawkins S, Henney J, Holmes K, Hutchinson N,, Isaac NJB, Johns D, Macadam CR, Matthews F, Nicolet P, Noble DG, Outhwaite CL, Powney GD, Richardson P, Roy DB, Sims D, Smart S, Stevenson K, Stroud RA,, Walker KJ, Webb JR, Webb TJ, Wynde R and Gregory RD (2016).** *State of Nature 2016.* The State of Nature partnership.
- **HCC (2015).** **Guiding Principles Hamble Estuary Partnership** <http://www3.hants.gov.uk/hambleestuarypartnership/hep-principles.htm> [accessed 17th November 2017]
- **Joint Nature Conservation Committee (2010).** *Handbook for Phase 1 habitat survey: a technique for environmental audit.* Joint Nature Conservation Committee, Peterborough.
- **Joint Nature Conservation Committee (2017).** *E2. Expenditure on UK and international biodiversity* <http://jncc.defra.gov.uk/page-4251> [accessed 17th November 2017]
- **Lawton, J [chair] (2010)** *Making Space for Nature: A review of England's Wildlife Sites and Ecological Network*
- **Rogerson, M., Barton, J., Bragg, R. & Pretty, J. (2017).** *The health and wellbeing impacts of volunteering with The Wildlife Trusts.* University of Essex, Colchester
- **Rose, F. (1989).** *Colour identification guide to the grasses, sedges, rushes and ferns of the British Isles and north-western Europe.* Viking, London.
- **Rose, F. (2006).** *The wildflower key: how to identify wild flowers, trees and shrubs in Britain and Ireland (revised edition).* Fredrick Warne, London.
- **RSPB (2010).** *Every Child Outdoors: summary report* https://www.rspb.org.uk/Images/everychildoutdoors_tcm9-259689.pdf
- **Saltmarsh, N. (2011).** *The Natural Choice: securing the value of nature* <http://webarchive.nationalarchives.gov.uk/20140827110041/http://sd.defra.gov.uk/2011/06/the-natural-choice-securing-the-value-of-nature> [accessed 21st September 2016]
- **UK National Ecosystem Assessment (2011).** *The UK National Ecosystem Assessment: Synthesis of the Key Findings.* UNEP-WCMC, Cambridge

MAPS

PHOTOGRAPHS



Photograph 1: Plots in allotment



Photograph 2: Different mowing regimes in cemetery



Photograph 3: Area for proposed orchard on college playing field



Photograph 4: Donkey derby field



Photograph 5: Hamble green



Photograph 6: Heather gardens



Photograph 7: Mercury marshes



Photograph 8: Mount pleasant recreation ground



Photograph 9: Westfield common

APPENDICES

Appendix 1:
Map showing extent of background data search area

Appendix 2:
Protected and notable species background data search results

Appendix 2. Protected and notable species background data search results

Search Area: Within 2km of Hamble-le-Rice parish boundary

Date: 14/11/2017

Group Name	Taxon Name	Common Name	Status	First Year Recorded	Last Year Recorded	Number of Records
Amphibians & Reptiles	<i>Anguis fragilis</i>	Slow-worm	<ul style="list-style-type: none"> Priority Species listed under Section 41 of the Natural Environment and Rural Communities Act 2006 	2002	2016	295
	<i>Bufo bufo</i>	Common Toad	<ul style="list-style-type: none"> Priority Species listed under Section 41 of the Natural Environment and Rural Communities Act 2006 	2003	2007	3
	<i>Natrix natrix</i>	Grass Snake	<ul style="list-style-type: none"> Priority Species listed under Section 41 of the Natural Environment and Rural Communities Act 2006 	2005	2009	17
	<i>Rana temporaria</i>	Common Frog	<ul style="list-style-type: none"> Annex V Habitats Directive 	2005	2016	11
	<i>Triturus cristatus</i>	Great Crested Newt	<ul style="list-style-type: none"> Annex II of the Habitats Directive (non-priority species) Annex V Habitats Directive Schedule 2 of Conservation of Habitats & Species Regulations 2010 Priority Species listed under Section 41 of the Natural Environment and Rural Communities Act 2006 Schedule 5 Section 9 (4b); Schedule 5 Section 9 (4c) of Wildlife & Countryside Act 1981 Hampshire BAP 	2005	2013	27
	<i>Vipera berus</i>	Adder	<ul style="list-style-type: none"> Priority Species listed under Section 41 of the Natural Environment and Rural Communities Act 2006 	2003	2013	6
	<i>Zootoca vivipara</i>	Common Lizard	<ul style="list-style-type: none"> Priority Species listed under Section 41 of the Natural Environment and Rural Communities Act 2006 	2002	2015	31
Birds	<i>Acanthis cabaret</i>	Lesser Redpoll	<ul style="list-style-type: none"> Birds of Conservation Concern Red List Priority Species listed under Section 41 of the Natural Environment and Rural Communities Act 2006 	1997	2016	70
	<i>Acanthis flammea</i>	Common (Mealy) Redpoll	<ul style="list-style-type: none"> County Interest 	2006	2013	2
	<i>Accipiter gentilis</i>	Goshawk	<ul style="list-style-type: none"> Schedule 1 Part 1 of Wildlife & Countryside Act 1981 County Rare 	2016	2016	1
	<i>Acrocephalus scirpaceus</i>	Reed Warbler	<ul style="list-style-type: none"> Hampshire BAP 	1993	2016	208

	<i>Alauda arvensis</i>	Skylark	<ul style="list-style-type: none"> • Birds of Conservation Concern Red List Priority Species listed under Section 41 of the Natural Environment and Rural Communities Act 2006 Hampshire BAP 	1996	2016	94
	<i>Alcedo atthis</i>	Kingfisher	<ul style="list-style-type: none"> • Annex I of the Birds Directive Schedule 1 Part 1 of Wildlife & Countryside Act 1981 	1994	2016	820
	<i>Anas clypeata</i>	Shoveler	<ul style="list-style-type: none"> • County Rare 	1993	2016	505
	<i>Anas querquedula</i>	Garganey	<ul style="list-style-type: none"> • Schedule 1 Part 1 of Wildlife & Countryside Act 1981 	1994	2016	51
	<i>Anas strepera</i>	Gadwall	<ul style="list-style-type: none"> • Hampshire BAP 	1993	2016	537
	<i>Anser albifrons</i>	White-fronted Goose	<ul style="list-style-type: none"> • Birds of Conservation Concern Red List Hampshire BAP 	2007	2015	3
	<i>Anser erythropus</i>	Lesser White-fronted Goose	<ul style="list-style-type: none"> • Annex I of the Birds Directive 	2002	2002	1
	<i>Anthus petrosus</i>	Rock Pipit	<ul style="list-style-type: none"> • County Rare 	1993	2016	600
	<i>Anthus petrosus subsp. littoralis</i>	Scandinavian Rock Pipit	<ul style="list-style-type: none"> • County Rare 	2003	2003	1
	<i>Anthus spinoletta</i>	Water Pipit	<ul style="list-style-type: none"> • County Scarce 	2003	2016	12
	<i>Anthus trivialis</i>	Tree Pipit	<ul style="list-style-type: none"> • Birds of Conservation Concern Red List Priority Species listed under Section 41 of the Natural Environment and Rural Communities Act 2006 	1993	2016	91
	<i>Ardea cinerea</i>	Grey Heron	<ul style="list-style-type: none"> • County Scarce 	1993	2016	332
	<i>Arenaria interpres</i>	Turnstone	<ul style="list-style-type: none"> • Hampshire BAP 	1993	2016	540
	<i>Asio flammeus</i>	Short-eared Owl	<ul style="list-style-type: none"> • Annex I of the Birds Directive 	1994	2015	50
	<i>Asio otus</i>	Long-eared Owl	<ul style="list-style-type: none"> • County Rare 	2010	2010	1
	<i>Aythya ferina</i>	Pochard	<ul style="list-style-type: none"> • Birds of Conservation Concern Red List Hampshire BAP County Scarce 	1993	2016	117
	<i>Aythya marila</i>	Scaup	<ul style="list-style-type: none"> • Birds of Conservation Concern Red List Priority Species listed under Section 41 of the Natural Environment and Rural Communities Act 2006 Schedule 1 Part 1 of Wildlife & Countryside Act 1981 	1994	2010	19

	<i>Botaurus stellaris</i>	Bittern	<ul style="list-style-type: none"> Annex I of the Birds Directive Priority Species listed under Section 41 of the Natural Environment and Rural Communities Act 2006 Schedule 1 Part 1 of Wildlife & Countryside Act 1981 Hampshire BAP 	2005	2015	23
	<i>Branta bernicla</i>	Brent Goose	<ul style="list-style-type: none"> Birds of Conservation Concern Red List Priority Species listed under Section 41 of the Natural Environment and Rural Communities Act 2006 Hampshire BAP 	1993	2016	649
	<i>Branta leucopsis</i>	Barnacle Goose	<ul style="list-style-type: none"> Annex I of the Birds Directive 	2002	2016	17
	<i>Calidris alba</i>	Sanderling	<ul style="list-style-type: none"> Hampshire BAP 	1993	2016	124
	<i>Calidris alpina</i>	Dunlin	<ul style="list-style-type: none"> Hampshire BAP 	1993	2016	651
	<i>Calidris canutus</i>	Knot	<ul style="list-style-type: none"> Hampshire BAP 	1993	2016	384
	<i>Calidris maritima</i>	Purple Sandpiper	<ul style="list-style-type: none"> Schedule 1 Part 1 of Wildlife & Countryside Act 1981 	2008	2016	2
	<i>Calidris pugnax</i>	Ruff	<ul style="list-style-type: none"> Annex I of the Birds Directive Birds of Conservation Concern Red List Schedule 1 Part 1 of Wildlife & Countryside Act 1981 	1993	2016	28
	<i>Caprimulgus europaeus</i>	Nightjar	<ul style="list-style-type: none"> Annex I of the Birds Directive Priority Species listed under Section 41 of the Natural Environment and Rural Communities Act 2006 Hampshire BAP County Interest 	2007	2016	5
	<i>Cettia cetti</i>	Cetti's Warbler	<ul style="list-style-type: none"> Schedule 1 Part 1 of Wildlife & Countryside Act 1981 Hampshire BAP County Scarce 	1993	2016	119 8
	<i>Charadrius dubius</i>	Little Ringed Plover	<ul style="list-style-type: none"> Schedule 1 Part 1 of Wildlife & Countryside Act 1981 County Scarce 	1994	2016	129
	<i>Charadrius hiaticula</i>	Ringed Plover	<ul style="list-style-type: none"> Birds of Conservation Concern Red List 	1993	2016	508
	<i>Chlidonias niger</i>	Black Tern	<ul style="list-style-type: none"> Annex I of the Birds Directive Schedule 1 Part 1 of Wildlife & Countryside Act 1981 	1995	2016	34
	<i>Chroicocephalus ridibundus</i>	Black-headed Gull	<ul style="list-style-type: none"> County Rare 	2001	2016	202

	<i>Circus aeruginosus</i>	Marsh Harrier	<ul style="list-style-type: none"> Annex I of the Birds Directive Schedule 1 Part 1 of Wildlife & Countryside Act 1981 County Rare 	2000	2016	85
	<i>Circus cyaneus</i>	Hen Harrier	<ul style="list-style-type: none"> Annex I of the Birds Directive Birds of Conservation Concern Red List Priority Species listed under Section 41 of the Natural Environment and Rural Communities Act 2006 Schedule 1 Part 1 of Wildlife & Countryside Act 1981 Hampshire BAP 	2003	2013	3
	<i>Circus pygargus</i>	Montagu's Harrier	<ul style="list-style-type: none"> Annex I of the Birds Directive Schedule 1 Part 1 of Wildlife & Countryside Act 1981 Hampshire BAP County Rare 	2002	2002	2
	<i>Clangula hyemalis</i>	Long-tailed Duck	<ul style="list-style-type: none"> Birds of Conservation Concern Red List Schedule 1 Part 1 of Wildlife & Countryside Act 1981 	2009	2014	16
	<i>Coccothraustes coccothraustes</i>	Hawfinch	<ul style="list-style-type: none"> Birds of Conservation Concern Red List Priority Species listed under Section 41 of the Natural Environment and Rural Communities Act 2006 Hampshire BAP County Interest 	2005	2013	8
	<i>Crex crex</i>	Corncrake	<ul style="list-style-type: none"> Annex I of the Birds Directive Birds of Conservation Concern Red List Priority Species listed under Section 41 of the Natural Environment and Rural Communities Act 2006 Schedule 1 Part 1 of Wildlife & Countryside Act 1981 	2013	2013	1
	<i>Cuculus canorus</i>	Cuckoo	<ul style="list-style-type: none"> Birds of Conservation Concern Red List Priority Species listed under Section 41 of the Natural Environment and Rural Communities Act 2006 	1993	2016	161
	<i>Dendrocopos minor</i>	Lesser Spotted Woodpecker	<ul style="list-style-type: none"> Birds of Conservation Concern Red List Hampshire BAP 	1993	2013	52
	<i>Egretta garzetta</i>	Little Egret	<ul style="list-style-type: none"> Annex I of the Birds Directive Hampshire BAP County Rare 	1993	2016	818

<i>Emberiza citrinella</i>	Yellowhammer	<ul style="list-style-type: none"> Birds of Conservation Concern Red List Priority Species listed under Section 41 of the Natural Environment and Rural Communities Act 2006 	1997	2007	3
<i>Emberiza schoeniclus</i>	Reed Bunting	<ul style="list-style-type: none"> Priority Species listed under Section 41 of the Natural Environment and Rural Communities Act 2006 Hampshire BAP 	2001	2016	578
<i>Falco columbarius</i>	Merlin	<ul style="list-style-type: none"> Annex I of the Birds Directive Birds of Conservation Concern Red List Schedule 1 Part 1 of Wildlife & Countryside Act 1981 Hampshire BAP 	1996	2016	37
<i>Falco peregrinus</i>	Peregrine	<ul style="list-style-type: none"> Annex I of the Birds Directive Schedule 1 Part 1 of Wildlife & Countryside Act 1981 County Rare 	1993	2016	441
<i>Falco subbuteo</i>	Hobby	<ul style="list-style-type: none"> Schedule 1 Part 1 of Wildlife & Countryside Act 1981 Hampshire BAP County Interest 	1993	2016	136
<i>Ficedula hypoleuca</i>	Pied Flycatcher	<ul style="list-style-type: none"> Birds of Conservation Concern Red List County Rare 	2002	2014	5
<i>Fringilla montifringilla</i>	Brambling	<ul style="list-style-type: none"> Schedule 1 Part 1 of Wildlife & Countryside Act 1981 	1994	2015	30
<i>Gallinago gallinago</i>	Snipe	<ul style="list-style-type: none"> Hampshire BAP County Scarce 	1994	2016	466
<i>Gavia</i>	Indet. Diver	<ul style="list-style-type: none"> Schedule 1 Part 1 of Wildlife & Countryside Act 1981 	1995	2006	2
<i>Gavia arctica</i>	Black-throated Diver	<ul style="list-style-type: none"> Annex I of the Birds Directive Schedule 1 Part 1 of Wildlife & Countryside Act 1981 	2007	2015	10
<i>Gavia immer</i>	Great Northern Diver	<ul style="list-style-type: none"> Annex I of the Birds Directive Schedule 1 Part 1 of Wildlife & Countryside Act 1981 	1993	2016	266
<i>Gavia stellata</i>	Red-throated Diver	<ul style="list-style-type: none"> Annex I of the Birds Directive Schedule 1 Part 1 of Wildlife & Countryside Act 1981 	1994	2016	61
<i>Haematopus ostralegus</i>	Oystercatcher	<ul style="list-style-type: none"> County Scarce 	1993	2016	664
<i>Hydrocoloeus minutus</i>	Little Gull	<ul style="list-style-type: none"> Annex I of the Birds Directive Schedule 1 Part 1 of Wildlife & Countryside Act 1981 	1994	2016	73
<i>Hydroprogne caspia</i>	Caspian Tern	<ul style="list-style-type: none"> Annex I of the Birds Directive 	2005	2005	1

<i>Ixobrychus minutus</i>	Little Bittern	<ul style="list-style-type: none"> Annex I of the Birds Directive Schedule 1 Part 1 of Wildlife & Countryside Act 1981 	1997	2010	44
<i>Jynx torquilla</i>	Wryneck	<ul style="list-style-type: none"> Schedule 1 Part 1 of Wildlife & Countryside Act 1981 	2009	2016	45
<i>Larus argentatus</i>	Herring Gull	<ul style="list-style-type: none"> Birds of Conservation Concern Red List County Rare 	1994	2016	181
<i>Larus fuscus</i>	Lesser Black-backed Gull	<ul style="list-style-type: none"> Birds of Conservation Concern Red List County Rare 	1993	2016	69
<i>Larus marinus</i>	Great Black-backed Gull	<ul style="list-style-type: none"> County Rare 	1994	2016	137
<i>Larus melanocephalus</i>	Mediterranean Gull	<ul style="list-style-type: none"> Annex I of the Birds Directive Schedule 1 Part 1 of Wildlife & Countryside Act 1981 Hampshire BAP County Rare 	1994	2016	674
<i>Limosa lapponica</i>	Bar-tailed Godwit	<ul style="list-style-type: none"> Annex I of the Birds Directive Hampshire BAP 	1993	2016	210
<i>Limosa limosa</i>	Black-tailed Godwit	<ul style="list-style-type: none"> Birds of Conservation Concern Red List Schedule 1 Part 1 of Wildlife & Countryside Act 1981 Hampshire BAP County Interest 	1993	2016	105 1
<i>Linaria cannabina</i>	Linnet	<ul style="list-style-type: none"> Birds of Conservation Concern Red List Hampshire BAP 	1993	2016	107
<i>Locustella naevia</i>	Grasshopper Warbler	<ul style="list-style-type: none"> Birds of Conservation Concern Red List Priority Species listed under Section 41 of the Natural Environment and Rural Communities Act 2006 Hampshire BAP County Rare 	1996	2015	18
<i>Loxia curvirostra</i>	Common Crossbill	<ul style="list-style-type: none"> Schedule 1 Part 1 of Wildlife & Countryside Act 1981 County Scarce 	2002	2016	22
<i>Lullula arborea</i>	Woodlark	<ul style="list-style-type: none"> Annex I of the Birds Directive Priority Species listed under Section 41 of the Natural Environment and Rural Communities Act 2006 Schedule 1 Part 1 of Wildlife & Countryside Act 1981 Hampshire BAP County Interest 	2002	2014	20

<i>Luscinia megarhynchos</i>	Nightingale	<ul style="list-style-type: none"> • Birds of Conservation Concern Red List Hampshire BAP County Scarce 	1993	2016	222
<i>Luscinia svecica</i>	Bluethroat	<ul style="list-style-type: none"> • Annex I of the Birds Directive Schedule 1 Part 1 of Wildlife & Countryside Act 1981 	2002	2002	1
<i>Melanitta fusca</i>	Velvet Scoter	<ul style="list-style-type: none"> • Schedule 1 Part 1 of Wildlife & Countryside Act 1981 	2009	2016	9
<i>Melanitta nigra</i>	Common Scoter	<ul style="list-style-type: none"> • Birds of Conservation Concern Red List Priority Species listed under Section 41 of the Natural Environment and Rural Communities Act 2006 Schedule 1 Part 1 of Wildlife & Countryside Act 1981 Hampshire BAP 	1994	2016	119
<i>Mergellus albellus</i>	Smew	<ul style="list-style-type: none"> • Annex I of the Birds Directive 	1994	2015	17
<i>Mergus merganser</i>	Goosander	<ul style="list-style-type: none"> • Hampshire BAP County Rare 	1993	2016	102
<i>Mergus serrator</i>	Red-breasted Merganser	<ul style="list-style-type: none"> • Hampshire BAP 	1994	2016	207
<i>Milvus migrans</i>	Black Kite	<ul style="list-style-type: none"> • Annex I of the Birds Directive 	2010	2010	2
<i>Milvus milvus</i>	Red Kite	<ul style="list-style-type: none"> • Annex I of the Birds Directive Schedule 1 Part 1 of Wildlife & Countryside Act 1981 Hampshire BAP County Rare 	1998	2016	54
<i>Motacilla cinerea</i>	Grey Wagtail	<ul style="list-style-type: none"> • Birds of Conservation Concern Red List 	1994	2016	218
<i>Motacilla flava</i>	Yellow Wagtail	<ul style="list-style-type: none"> • Birds of Conservation Concern Red List Hampshire BAP County Rare 	1993	2016	670
<i>Muscicapa striata</i>	Spotted Flycatcher	<ul style="list-style-type: none"> • Birds of Conservation Concern Red List Priority Species listed under Section 41 of the Natural Environment and Rural Communities Act 2006 Hampshire BAP 	1993	2016	189
<i>Numenius arquata</i>	Curlew	<ul style="list-style-type: none"> • Birds of Conservation Concern Red List Priority Species listed under Section 41 of the Natural Environment and Rural Communities Act 2006 	1993	2016	601

<i>Numenius phaeopus</i>	Whimbrel	<ul style="list-style-type: none"> • Birds of Conservation Concern Red List Schedule 1 Part 1 of Wildlife & Countryside Act 1981 	1993	2016	448
<i>Oceanodroma leucorhoa</i>	Leach's Petrel	<ul style="list-style-type: none"> • Annex I of the Birds Directive Schedule 1 Part 1 of Wildlife & Countryside Act 1981 	2009	2012	3
<i>Oenanthe oenanthe</i>	Wheatear	<ul style="list-style-type: none"> • County Scarce 	1993	2016	139 4
<i>Pandion haliaetus</i>	Osprey	<ul style="list-style-type: none"> • Annex I of the Birds Directive Schedule 1 Part 1 of Wildlife & Countryside Act 1981 	1997	2016	61
<i>Panurus biarmicus</i>	Bearded Tit	<ul style="list-style-type: none"> • Schedule 1 Part 1 of Wildlife & Countryside Act 1981 Hampshire BAP County Rare 	1993	2016	190
<i>Passer domesticus</i>	House Sparrow	<ul style="list-style-type: none"> • Birds of Conservation Concern Red List Priority Species listed under Section 41 of the Natural Environment and Rural Communities Act 2006 	2008	2016	21
<i>Passer montanus</i>	Tree Sparrow	<ul style="list-style-type: none"> • Birds of Conservation Concern Red List Priority Species listed under Section 41 of the Natural Environment and Rural Communities Act 2006 Hampshire BAP County Rare 	2005	2011	2
<i>Pernis apivorus</i>	Honey-buzzard	<ul style="list-style-type: none"> • Annex I of the Birds Directive Schedule 1 Part 1 of Wildlife & Countryside Act 1981 Hampshire BAP County Rare 	2010	2010	2
<i>Phalacrocorax aristotelis</i>	Shag	<ul style="list-style-type: none"> • Birds of Conservation Concern Red List 	2009	2016	13
<i>Phoenicurus ochruros</i>	Black Redstart	<ul style="list-style-type: none"> • Birds of Conservation Concern Red List Schedule 1 Part 1 of Wildlife & Countryside Act 1981 County Rare 	1994	2016	160
<i>Phoenicurus phoenicurus</i>	Redstart	<ul style="list-style-type: none"> • County Interest 	1993	2016	208
<i>Platalea leucorodia</i>	Spoonbill	<ul style="list-style-type: none"> • Annex I of the Birds Directive Schedule 1 Part 1 of Wildlife & Countryside Act 1981 	1996	2015	32
<i>Plectrophenax nivalis</i>	Snow Bunting	<ul style="list-style-type: none"> • Schedule 1 Part 1 of Wildlife & Countryside Act 1981 	1996	2014	20
<i>Plegadis falcinellus</i>	Glossy Ibis	<ul style="list-style-type: none"> • Annex I of the Birds Directive 	2012	2012	1

	<i>Pluvialis apricaria</i>	Golden Plover	• Annex I of the Birds Directive Hampshire BAP	1993	2016	476
	<i>Pluvialis squatarola</i>	Grey Plover	• Hampshire BAP County Interest	1993	2016	459
	<i>Podiceps auritus</i>	Slavonian Grebe	• Annex I of the Birds Directive Schedule 1 Part 1 of Wildlife & Countryside Act 1981 Hampshire BAP	1994	2016	37
	<i>Podiceps cristatus</i>	Great Crested Grebe	• County Interest	1993	2016	288
	<i>Podiceps grisegena</i>	Red-necked Grebe	• Birds of Conservation Concern Red List	2012	2016	3
	<i>Podiceps nigricollis</i>	Black-necked Grebe	• Schedule 1 Part 1 of Wildlife & Countryside Act 1981 Hampshire BAP	2001	2016	42
	<i>Poecile montana</i>	Willow Tit	• Birds of Conservation Concern Red List	2004	2004	1
	<i>Poecile palustris</i>	Marsh Tit	• Birds of Conservation Concern Red List	1998	2016	27
	<i>Porzana porzana</i>	Spotted Crake	• Annex I of the Birds Directive Schedule 1 Part 1 of Wildlife & Countryside Act 1981	2003	2005	3
	<i>Pyrrhula pyrrhula</i>	Bullfinch	• Hampshire BAP	2009	2016	84
	<i>Rallus aquaticus</i>	Water Rail	• County Scarce	1993	2016	681
	<i>Recurvirostra avosetta</i>	Avocet	• Annex I of the Birds Directive Schedule 1 Part 1 of Wildlife & Countryside Act 1981 County Rare	1993	2016	315
	<i>Regulus ignicapilla</i>	Firecrest	• Schedule 1 Part 1 of Wildlife & Countryside Act 1981 Hampshire BAP County Scarce	1994	2016	466
	<i>Riparia riparia</i>	Sand Martin	• County Scarce	1994	2016	45
	<i>Rissa tridactyla</i>	Kittiwake	• Birds of Conservation Concern Red List	1998	2015	42
	<i>Saxicola rubetra</i>	Whinchat	• Birds of Conservation Concern Red List Hampshire BAP County Rare	1993	2016	670
	<i>Scolopax rusticola</i>	Woodcock	• Birds of Conservation Concern Red List	1995	2016	15
	<i>Spinus spinus</i>	Siskin	• County Interest	1993	2016	113
	<i>Stercorarius parasiticus</i>	Arctic Skua	• Birds of Conservation Concern Red List	2002	2015	12

	<i>Sterna dougallii</i>	Roseate Tern	<ul style="list-style-type: none"> • Annex I of the Birds Directive Birds of Conservation Concern Red List Priority Species listed under Section 41 of the Natural Environment and Rural Communities Act 2006 Schedule 1 Part 1 of Wildlife & Countryside Act 1981 Hampshire BAP County Rare 	2002	2007	2
	<i>Sterna hirundo</i>	Common Tern	<ul style="list-style-type: none"> • Annex I of the Birds Directive County Rare 	1994	2016	124
	<i>Sterna paradisaea</i>	Arctic Tern	<ul style="list-style-type: none"> • Annex I of the Birds Directive 	2004	2016	35
	<i>Sterna sandvicensis</i>	Sandwich Tern	<ul style="list-style-type: none"> • Annex I of the Birds Directive County Rare 	1994	2016	227
	<i>Sternula albifrons</i>	Little Tern	<ul style="list-style-type: none"> • Annex I of the Birds Directive Schedule 1 Part 1 of Wildlife & Countryside Act 1981 Hampshire BAP County Rare 	2001	2016	22
	<i>Streptopelia turtur</i>	Turtle Dove	<ul style="list-style-type: none"> • Birds of Conservation Concern Red List Priority Species listed under Section 41 of the Natural Environment and Rural Communities Act 2006 Hampshire BAP 	1995	2015	17
	<i>Sturnus vulgaris</i>	Starling	<ul style="list-style-type: none"> • Birds of Conservation Concern Red List 	2002	2016	50
	<i>Sylvia undata</i>	Dartford Warbler	<ul style="list-style-type: none"> • Annex I of the Birds Directive Schedule 1 Part 1 of Wildlife & Countryside Act 1981 Hampshire BAP County Interest 	1993	2016	127 0
	<i>Tadorna ferruginea</i>	Ruddy Shelduck	<ul style="list-style-type: none"> • Annex I of the Birds Directive 	2010	2016	5
	<i>Tadorna tadorna</i>	Shelduck	<ul style="list-style-type: none"> • County Interest 	1993	2016	510
	<i>Tringa glareola</i>	Wood Sandpiper	<ul style="list-style-type: none"> • Annex I of the Birds Directive Schedule 1 Part 1 of Wildlife & Countryside Act 1981 	2004	2015	24
	<i>Tringa nebularia</i>	Greenshank	<ul style="list-style-type: none"> • Schedule 1 Part 1 of Wildlife & Countryside Act 1981 	1993	2016	116 0
	<i>Tringa ochropus</i>	Green Sandpiper	<ul style="list-style-type: none"> • Schedule 1 Part 1 of Wildlife & Countryside Act 1981 	1993	2016	295
	<i>Tringa totanus</i>	Redshank	<ul style="list-style-type: none"> • Hampshire BAP 	1993	2016	596

	<i>Turdus iliacus</i>	Redwing	• Birds of Conservation Concern Red List Schedule 1 Part 1 of Wildlife & Countryside Act 1981	1994	2016	80
	<i>Turdus philomelos</i>	Song Thrush	• Birds of Conservation Concern Red List Hampshire BAP	2003	2015	39
	<i>Turdus pilaris</i>	Fieldfare	• Birds of Conservation Concern Red List Schedule 1 Part 1 of Wildlife & Countryside Act 1981	1993	2016	57
	<i>Turdus torquatus</i>	Ring Ouzel	• Birds of Conservation Concern Red List Priority Species listed under Section 41 of the Natural Environment and Rural Communities Act 2006	2007	2016	16
	<i>Turdus viscivorus</i>	Mistle Thrush	• Birds of Conservation Concern Red List	1995	2016	31
	<i>Tyto alba</i>	Barn Owl	• Schedule 1 Part 1 of Wildlife & Countryside Act 1981	1993	2015	65
	<i>Upupa epops</i>	Hoopoe	• Schedule 1 Part 1 of Wildlife & Countryside Act 1981	2006	2007	4
	<i>Vanellus vanellus</i>	Lapwing	• Birds of Conservation Concern Red List Priority Species listed under Section 41 of the Natural Environment and Rural Communities Act 2006 Hampshire BAP	1993	2016	609
	<i>Dryopteris filix-mas x affinis = D. x complexa</i>	Buckler-Fern	• County Rare South Hampshire Rare	2011	2011	1
Higher plants - Ferns	<i>Pilularia globulifera</i>	Pillwort	• IUCN_EN_2014:VU, IUCN_GB_2001:NT, IUCN_GB_2001:VU Nationally Scarce Priority Species listed under Section 41 of the Natural Environment and Rural Communities Act 2006 Hampshire BAP	2006	2006	1
	<i>Polypodium cambricum</i>	Southern Polypody	• County Scarce South Hampshire Scarce	1993	2003	2
Higher plants - Flowering Plants	<i>Acorus calamus</i>	Sweet-flag	• County Scarce South Hampshire Scarce North Hampshire Rare	2008	2008	1

	<i>Althaea officinalis</i>	Marsh-mallow	<ul style="list-style-type: none"> IUCN_EN_2014:NT, IUCN_GB_2001:NT Nationally Scarce North Hampshire Rare South Hampshire Scarce Hampshire BAP County Scarce 	2010	2010	1
	<i>Anacamptis morio</i>	Green-winged Orchid	<ul style="list-style-type: none"> IUCN_EN_2014:VU, IUCN_GB_2001:NT Hampshire BAP 	1989	2006	5
	<i>Anthemis cotula</i>	Stinking Chamomile	<ul style="list-style-type: none"> IUCN_EN_2014:VU, IUCN_GB_2001:VU County Interest 	1994	1994	2
	<i>Anthriscus caucalis</i>	Bur Chervil	<ul style="list-style-type: none"> County Scarce South Hampshire Scarce North Hampshire Rare 	2004	2004	1
	<i>Apium graveolens</i>	Wild Celery	<ul style="list-style-type: none"> County Scarce 	1993	2013	4
	<i>Artemisia absinthium</i>	Wormwood	<ul style="list-style-type: none"> County Scarce South Hampshire Scarce North Hampshire Rare 	1997	1997	1
	<i>Atriplex prostrata x longipes = A. x gustafssoniana</i>	Kattegat Orache	<ul style="list-style-type: none"> County Rare South Hampshire Rare 	2009	2009	2
	<i>Briza media</i>	Quaking-grass	<ul style="list-style-type: none"> IUCN_EN_2014:NT, IUCN_GB_2001:NT 	2002	2011	4
	<i>Bupleurum tenuissimum</i>	Slender Hare's-ear	<ul style="list-style-type: none"> IUCN_EN_2014:VU, IUCN_GB_2001:VU Nationally Scarce Priority Species listed under Section 41 of the Natural Environment and Rural Communities Act 2006 Hampshire BAP County Scarce South Hampshire Scarce 	1982	2015	13
	<i>Buxus sempervirens</i>	Box	<ul style="list-style-type: none"> IUCN_EN_2014:DD, IUCN_GB_2001:DD Nationally Rare 	2011	2011	1
	<i>Cakile maritima</i>	Sea Rocket	<ul style="list-style-type: none"> County Scarce 	1997	2004	8
	<i>Calluna vulgaris</i>	Heather	<ul style="list-style-type: none"> IUCN_EN_2014:NT, IUCN_GB_2001:NT 	1987	2014	26
	<i>Carduus tenuiflorus</i>	Slender Thistle	<ul style="list-style-type: none"> County Scarce 	1997	2011	5

	<i>Carex acuta</i>	Slender Tufted-sedge	<ul style="list-style-type: none"> IUCN_EN_2014:EX County Scarce South Hampshire Scarce North Hampshire Scarce 	2001	2001	1
	<i>Carex divisa</i>	Divided Sedge	<ul style="list-style-type: none"> IUCN_GB_2001:VU Nationally Scarce Priority Species listed under Section 41 of the Natural Environment and Rural Communities Act 2006 Hampshire BAP 	1999	2014	12
	<i>Carex echinata</i>	Star Sedge	<ul style="list-style-type: none"> IUCN_EN_2014:NT, IUCN_GB_2001:NT 	2004	2004	1
	<i>Carex extensa</i>	Long-bracted Sedge	<ul style="list-style-type: none"> County Scarce South Hampshire Scarce 	2002	2013	4
	<i>Catabrosa aquatica</i>	Whorl-grass	<ul style="list-style-type: none"> IUCN_EN_2014:VU, IUCN_GB_2001:VU County Scarce 	1999	2004	2
	<i>Centaurea cyanus</i>	Cornflower	<ul style="list-style-type: none"> Priority Species listed under Section 41 of the Natural Environment and Rural Communities Act 2006 Hampshire BAP 	2000	2000	1
	<i>Cerastium arvense</i>	Field Mouse-ear	<ul style="list-style-type: none"> IUCN_EN_2014:NT, IUCN_GB_2001:NT 	2003	2003	1
	<i>Ceratocarpus claviculata</i>	Climbing Corydalis	<ul style="list-style-type: none"> North Hampshire Rare North Hampshire Scarce 	1987	2015	21
	<i>Cichorium intybus</i>	Chicory	<ul style="list-style-type: none"> IUCN_EN_2014:VU, IUCN_GB_2001:VU 	1994	1994	1
	<i>Cochlearia anglica</i>	English Scurvygrass	<ul style="list-style-type: none"> County Scarce 	1988	1998	7
	<i>Crataegus laevigata</i>	Midland Hawthorn	<ul style="list-style-type: none"> County Scarce South Hampshire Scarce North Hampshire Rare North Hampshire Scarce 	2011	2011	2
	<i>Cruciata laevipes</i>	Crosswort	<ul style="list-style-type: none"> IUCN_EN_2014:NT, IUCN_GB_2001:NT 	1997	2016	5
	<i>Cuscuta epithimum</i>	Dodder	<ul style="list-style-type: none"> IUCN_EN_2014:VU, IUCN_GB_2001:VU 	2011	2011	1

	<i>Dianthus armeria</i>	Deptford Pink	<ul style="list-style-type: none"> IUCN_EN_2014:EN, IUCN_GB_2001:EN Nationally Scarce Priority Species listed under Section 41 of the Natural Environment and Rural Communities Act 2006 Schedule 8 Wildlife & Countryside Act 1981 Hampshire BAP County Rare South Hampshire Rare North Hampshire Rare 	2011	2011	1
	<i>Eleocharis uniglumis</i>	Slender Spike-rush	<ul style="list-style-type: none"> County Scarce South Hampshire Scarce North Hampshire Rare 	2009	2009	1
	<i>Elytrigia juncea</i>	Sand Couch	<ul style="list-style-type: none"> County Scarce South Hampshire Scarce 	1988	2004	2
	<i>Erica cinerea</i>	Bell Heather	<ul style="list-style-type: none"> IUCN_EN_2014:NT, IUCN_GB_2001:NT 	2002	2014	5
	<i>Erica tetralix</i>	Cross-leaved Heath	<ul style="list-style-type: none"> IUCN_EN_2014:NT, IUCN_GB_2001:NT 	1985	2013	11
	<i>Erysimum cheiranthoides</i>	Treacle-mustard	<ul style="list-style-type: none"> IUCN_EN_2014:NT, IUCN_GB_2001:NT County Scarce 	1992	1992	1
	<i>Euphrasia nemorosa</i>	Eyebright	<ul style="list-style-type: none"> IUCN_EN_2014:NT, IUCN_GB_2001:NT 	2014	2014	1
	<i>Festuca ovina subsp. hirtula</i>	Sheep's Fescue	<ul style="list-style-type: none"> County Rare South Hampshire Rare North Hampshire Rare 	1992	1992	1
	<i>Festuca rubra subsp. juncea</i>	Red Fescue	<ul style="list-style-type: none"> County Scarce South Hampshire Scarce 	1999	1999	1
	<i>Festuca rubra subsp. litoralis</i>	Red Fescue	<ul style="list-style-type: none"> County Scarce South Hampshire Scarce 	2006	2010	4
	<i>Filago minima</i>	Small Cudweed	<ul style="list-style-type: none"> IUCN_EN_2014:NT, IUCN_GB_2001:NT 	1987	1987	1
	<i>Filago vulgaris</i>	Common Cudweed	<ul style="list-style-type: none"> IUCN_EN_2014:NT, IUCN_GB_2001:NT 	2000	2000	2
	<i>Fragaria vesca</i>	Wild Strawberry	<ul style="list-style-type: none"> IUCN_EN_2014:NT, IUCN_GB_2001:NT 	1990	2016	13
	<i>Fumaria muralis subsp. boraei</i>	Few-Flowered Fumitory	<ul style="list-style-type: none"> North Hampshire Rare North Hampshire Scarce 	1998	2010	3

<i>Geranium purpureum</i>	Little-robin	<ul style="list-style-type: none"> Nationally Rare Nationally Scarce Hampshire BAP County Rare South Hampshire Rare 	1990	1990	1
<i>Geranium rotundifolium</i>	Round-leaved Crane's-bill	<ul style="list-style-type: none"> South Hampshire Scarce North Hampshire Scarce 	2012	2012	1
<i>Glaucium flavum</i>	Yellow Horned-poppy	<ul style="list-style-type: none"> IUCN_EN_2014:NT, IUCN_GB_2001:NT County Scarce 	1997	2014	10
<i>Glebionis segetum</i>	Corn Marigold	<ul style="list-style-type: none"> IUCN_EN_2014:VU, IUCN_GB_2001:VU County Interest 	1994	1994	1
<i>Hieracium calcaricola</i>	Hawkweed	<ul style="list-style-type: none"> County Rare South Hampshire Rare North Hampshire Rare 	2006	2006	1
<i>Hippophae rhamnoides</i>	Sea-buckthorn	<ul style="list-style-type: none"> Nationally Scarce County Interest 	2001	2001	1
<i>Honckenya peploides</i>	Sea Sandwort	<ul style="list-style-type: none"> County Scarce 	1997	2014	7
<i>Hottonia palustris</i>	Water-violet	<ul style="list-style-type: none"> IUCN_EN_2014:VU, IUCN_GB_2001:VU County Scarce South Hampshire Rare North Hampshire Rare 	2006	2006	1
<i>Hydrocotyle vulgaris</i>	Marsh Pennywort	<ul style="list-style-type: none"> IUCN_EN_2014:NT, IUCN_GB_2001:NT 	1996	2011	12
<i>Hypericum elodes</i>	Marsh St John's-wort	<ul style="list-style-type: none"> IUCN_EN_2014:NT, IUCN_GB_2001:NT 	1994	2006	2
<i>Juncus subnodulosus</i>	Blunt-flowered Rush	<ul style="list-style-type: none"> County Scarce South Hampshire Scarce North Hampshire Scarce 	1999	2012	2
<i>Knautia arvensis</i>	Field Scabious	<ul style="list-style-type: none"> IUCN_EN_2014:NT, IUCN_GB_2001:NT 	2000	2009	4
<i>Lactuca virosa</i>	Great Lettuce	<ul style="list-style-type: none"> County Scarce South Hampshire Scarce South Hampshire Rare 	1997	2010	2
<i>Lamium hybridum</i>	Cut-leaved Dead-nettle	<ul style="list-style-type: none"> County Scarce South Hampshire Scarce North Hampshire Scarce 	1995	1995	2

<i>Lathyrus linifolius</i>	Bitter-vetch	• IUCN_EN_2014:NT, IUCN_GB_2001:NT	1997	1997	2
<i>Lepidium campestre</i>	Field Pepperwort	• IUCN_EN_2014:NT, IUCN_GB_2001:NT	1997	2011	3
<i>Limonium vulgare</i>	Common Sea-lavender	• IUCN_EN_2014:NT, IUCN_GB_2001:NT	1996	2014	23
<i>Lotus subbiflorus</i>	Hairy Bird's-foot-trefoil	• Nationally Scarce	2012	2012	1
<i>Lychnis flos-cuculi</i>	Ragged-Robin	• IUCN_EN_2014:NT	1990	2013	22
<i>Medicago polymorpha</i>	Toothed Medick	• Nationally Scarce County Scarce South Hampshire Scarce North Hampshire Rare	2000	2012	2
<i>Melampyrum pratense</i>	Common Cow-wheat	• IUCN_EN_2014:NT, IUCN_GB_2001:NT	1987	2010	8
<i>Misopates orontium</i>	Weasel's-snout	• IUCN_EN_2014:VU, IUCN_GB_2001:VU	1997	2014	4
<i>Moenchia erecta</i>	Upright Chickweed	• IUCN_EN_2014:VU, IUCN_GB_2001:VU	2001	2008	3
<i>Montia fontana subsp. amporitana</i>	Blinks	• County Rare South Hampshire Rare North Hampshire Rare	1999	1999	1
<i>Myrica gale</i>	Bog-myrtle	• IUCN_EN_2014:NT, IUCN_GB_2001:NT	1994	2006	2
<i>Nardus stricta</i>	Mat-grass	• IUCN_EN_2014:NT, IUCN_GB_2001:NT	1996	1996	2
<i>Nymphoides peltata</i>	Fringed Water-lily	• Nationally Scarce County Interest	1996	2011	7
<i>Oenanthe fistulosa</i>	Tubular Water-dropwort	• IUCN_EN_2014:VU, IUCN_GB_2001:VU Priority Species listed under Section 41 of the Natural Environment and Rural Communities Act 2006	1998	1998	1
<i>Oenanthe lachenalii</i>	Parsley Water-dropwort	• IUCN_EN_2014:NT, IUCN_GB_2001:NT County Scarce	1996	2012	17
<i>Orobanche hederæ</i>	Ivy Broomrape	• County Scarce South Hampshire Scarce North Hampshire Rare	1991	1991	2
<i>Oxalis acetosella</i>	Wood-sorrel	• IUCN_EN_2014:NT, IUCN_GB_2001:NT	1990	2014	13
<i>Papaver dubium subsp. dubium</i>	Long-headed Poppy	• County Interest	2000	2000	1

	<i>Parapholis incurva</i>	Curved Hard-grass	<ul style="list-style-type: none"> Nationally Scarce Hampshire BAP County Scarce 	1996	1996	1
	<i>Persicaria bistorta</i>	Common Bistort	<ul style="list-style-type: none"> County Scarce South Hampshire Scarce 	1993	1993	2
	<i>Poa bulbosa</i>	Bulbous Meadow-grass	<ul style="list-style-type: none"> Nationally Scarce Hampshire BAP County Scarce South Hampshire Scarce 	2015	2015	1
	<i>Polygala serpyllifolia</i>	Heath Milkwort	<ul style="list-style-type: none"> IUCN_EN_2014:NT, IUCN_GB_2001:NT 	2006	2011	3
	<i>Polygonum rurivagum</i>	Cornfield Knotgrass	<ul style="list-style-type: none"> County Interest 	2000	2000	1
	<i>Polypogon monspeliensis</i>	Annual Beard-grass	<ul style="list-style-type: none"> Nationally Scarce Hampshire BAP North Hampshire Rare North Hampshire Scarce 	1991	2014	6
	<i>Potamogeton berchtoldii</i>	Small Pondweed	<ul style="list-style-type: none"> South Hampshire Scarce North Hampshire Scarce 	2013	2013	1
	<i>Potamogeton pectinatus</i>	Fennel Pondweed	<ul style="list-style-type: none"> County Scarce North Hampshire Rare North Hampshire Scarce 	2013	2013	2
	<i>Potentilla erecta</i>	Tormentil	<ul style="list-style-type: none"> IUCN_EN_2014:NT, IUCN_GB_2001:NT 	1994	2013	29
	<i>Potentilla erecta x reptans = P. x italica</i>	Cinquefoil	<ul style="list-style-type: none"> County Scarce South Hampshire Rare South Hampshire Scarce North Hampshire Rare 	2014	2014	1
	<i>Puccinellia fasciculata</i>	Borrer's Saltmarsh-grass	<ul style="list-style-type: none"> IUCN_EN_2014:NT, IUCN_GB_2001:NT, IUCN_GB_2001:VU Nationally Scarce Priority Species listed under Section 41 of the Natural Environment and Rural Communities Act 2006 Hampshire BAP County Scarce South Hampshire Scarce 	1999	2007	3

<i>Puccinellia rupestris</i>	Stiff Saltmarsh-grass	<ul style="list-style-type: none"> Nationally Scarce Hampshire BAP County Scarce 	1999	2007	4
<i>Ranunculus baudotii</i>	Brackish Water-crowfoot	<ul style="list-style-type: none"> County Scarce South Hampshire Scarce 	2013	2013	3
<i>Ranunculus flammula</i>	Lesser Spearwort	<ul style="list-style-type: none"> IUCN_EN_2014:VU, IUCN_GB_2001:VU 	1993	2014	39
<i>Ranunculus flammula subsp. flammula</i>	Lesser Spearwort	<ul style="list-style-type: none"> IUCN_EN_2014:VU, IUCN_GB_2001:VU 	2000	2000	1
<i>Ranunculus hederaceus</i>	Ivy-leaved Crowfoot	<ul style="list-style-type: none"> North Hampshire Rare North Hampshire Scarce 	1999	2016	3
<i>Raphanus raphanistrum subsp. maritimus</i>	Sea Radish	<ul style="list-style-type: none"> County Scarce 	2013	2013	1
<i>Rorippa austriaca</i>	Austrian Yellow-cress	<ul style="list-style-type: none"> County Interest 	1995	2011	7
<i>Rosa spinosissima</i>	Burnet Rose	<ul style="list-style-type: none"> County Scarce 	2006	2011	2
<i>Rumex crispus subsp. littoreus</i>	Curled Dock	<ul style="list-style-type: none"> County Scarce 	1997	2014	10
<i>Ruppia maritima</i>	Beaked Tasselweed	<ul style="list-style-type: none"> IUCN_EN_2014:NT County Scarce South Hampshire Scarce 	2004	2004	1
<i>Ruscus aculeatus</i>	Butcher's-broom	<ul style="list-style-type: none"> Annex V Habitats Directive 	1987	2016	73
<i>Sagina maritima</i>	Sea Pearlwort	<ul style="list-style-type: none"> County Scarce 	1999	1999	1
<i>Salicornia dolichostachya</i>	Long-spiked Glasswort	<ul style="list-style-type: none"> County Scarce 	2000	2011	4
<i>Salicornia europaea</i>	Common Glasswort	<ul style="list-style-type: none"> County Scarce South Hampshire Scarce 	2000	2009	4
<i>Salicornia fragilis</i>	Yellow Glasswort	<ul style="list-style-type: none"> Nationally Scarce County Scarce 	1998	2011	6
<i>Salicornia pusilla</i>	One-flowered Glasswort	<ul style="list-style-type: none"> Nationally Scarce Hampshire BAP County Scarce South Hampshire Scarce 	1998	2009	4
<i>Salicornia ramosissima</i>	Purple Glasswort	<ul style="list-style-type: none"> County Scarce 	1998	2014	14
<i>Salix repens</i>	Creeping Willow	<ul style="list-style-type: none"> IUCN_EN_2014:NT, IUCN_GB_2001:NT 	1999	2008	2

<i>Samolus valerandi</i>	Brookweed	<ul style="list-style-type: none"> County Scarce South Hampshire Scarce North Hampshire Rare 	2001	2001	1
<i>Sanicula europaea</i>	Sanicle	<ul style="list-style-type: none"> IUCN_EN_2014:NT, IUCN_GB_2001:NT 	1990	2015	11
<i>Sarcocornia perennis</i>	Perennial Glasswort	<ul style="list-style-type: none"> Nationally Scarce County Scarce 	1989	2014	9
<i>Schoenoplectus triquetus</i>	Triangular Club-rush	<ul style="list-style-type: none"> IUCN_EN_2014:CR, IUCN_GB_2001:CR Nationally Rare Priority Species listed under Section 41 of the Natural Environment and Rural Communities Act 2006 Schedule 8 Wildlife & Countryside Act 1981 	2006	2006	1
<i>Senecio aquaticus</i>	Marsh Ragwort	<ul style="list-style-type: none"> IUCN_EN_2014:NT, IUCN_GB_2001:NT 	1997	2013	6
<i>Seriphidium maritimum</i>	Sea Wormwood	<ul style="list-style-type: none"> IUCN_EN_2014:NT County Scarce South Hampshire Scarce 	1988	2010	9
<i>Solidago virgaurea</i>	Goldenrod	<ul style="list-style-type: none"> IUCN_EN_2014:NT, IUCN_GB_2001:NT 	1994	2011	7
<i>Spartina maritima x alterniflora = S. x townsendii</i>	Townsend's Cord-grass	<ul style="list-style-type: none"> County Scarce South Hampshire Scarce 	1990	2009	2
<i>Spergula arvensis</i>	Corn Spurrey	<ul style="list-style-type: none"> IUCN_EN_2014:VU, IUCN_GB_2001:VU 	1994	2000	2
<i>Spiranthes spiralis</i>	Autumn Lady's-tresses	<ul style="list-style-type: none"> IUCN_EN_2014:NT, IUCN_GB_2001:NT 	2000	2015	12
<i>Stachys arvensis</i>	Field Woundwort	<ul style="list-style-type: none"> IUCN_EN_2014:NT, IUCN_GB_2001:NT 	2012	2012	1
<i>Stratiotes aloides</i>	Water-soldier	<ul style="list-style-type: none"> IUCN_GB_2001:NT Nationally Rare County Interest 	1999	1999	2
<i>Succisa pratensis</i>	Devil's-bit Scabious	<ul style="list-style-type: none"> IUCN_EN_2014:NT, IUCN_GB_2001:NT 	1996	2013	14
<i>Tilia platyphyllos</i>	Large-leaved Lime	<ul style="list-style-type: none"> Nationally Scarce County Rare South Hampshire Rare 	2011	2013	2
<i>Trifolium fragiferum</i>	Strawberry Clover	<ul style="list-style-type: none"> IUCN_EN_2014:VU, IUCN_GB_2001:VU 	1996	2014	18
<i>Trifolium ornithopodioides</i>	Bird's-foot Clover	<ul style="list-style-type: none"> North Hampshire Rare North Hampshire Scarce 	1997	2012	12

	<i>Trifolium suffocatum</i>	Suffocated Clover	<ul style="list-style-type: none"> Nationally Scarce Hampshire BAP County Scarce 	1999	2000	3
	<i>Ulex gallii</i>	Western Gorse	<ul style="list-style-type: none"> County Rare County South Hampshire Rare South Hampshire Scarce 	2006	2006	1
	<i>Umbilicus rupestris</i>	Navelwort	<ul style="list-style-type: none"> County Scarce 	2013	2013	2
	<i>Valeriana dioica</i>	Marsh Valerian	<ul style="list-style-type: none"> IUCN_EN_2014:NT, IUCN_GB_2001:NT 	1994	2015	5
	<i>Valeriana officinalis</i>	Common Valerian	<ul style="list-style-type: none"> IUCN_EN_2014:NT, IUCN_GB_2001:NT 	1990	2014	18
	<i>Veronica officinalis</i>	Heath Speedwell	<ul style="list-style-type: none"> IUCN_EN_2014:NT, IUCN_GB_2001:NT 	1990	2011	19
	<i>Viola canina</i>	Heath Dog-violet	<ul style="list-style-type: none"> IUCN_EN_2014:VU, IUCN_GB_2001:NT, IUCN_GB_2001:VU 	2002	2002	1
	<i>Viola tricolor</i>	Wild Pansy	<ul style="list-style-type: none"> IUCN_EN_2014:NT, IUCN_GB_2001:NT County Scarce South Hampshire Scarce North Hampshire Scarce 	2000	2000	1
Higher plants - Horsetails	<i>Equisetum sylvaticum</i>	Wood Horsetail	<ul style="list-style-type: none"> County Scarce 	1988	1989	4
Invertebrates - Araneae	<i>Sitticus caricis</i>	Sedge Jumper	<ul style="list-style-type: none"> Priority Species listed under Section 41 of the Natural Environment and Rural Communities Act 2006 	2008	2008	1
Invertebrates - Blattaria	<i>Ectobius lapponicus</i>	Dusky Cockroach	<ul style="list-style-type: none"> Nationally Scarce 	2005	2013	5
	<i>Ectobius pallidus</i>	Tawny Cockroach	<ul style="list-style-type: none"> Nationally Scarce 	2002	2006	2
	<i>Ectobius panzeri</i>	Lesser Cockroach	<ul style="list-style-type: none"> Nationally Scarce 	2005	2013	3
Invertebrates - Coleoptera	<i>Agelastica alni</i>	Alder Leaf Beetle	<ul style="list-style-type: none"> IUCN_GB_2001:DD Nationally Rare 	2014	2014	2
	<i>Ampedus sanguinolentus</i>	Ampedus sanguinolentus	<ul style="list-style-type: none"> Nationally Scarce 	2013	2013	1
	<i>Apion rubiginosum</i>	Apion rubiginosum	<ul style="list-style-type: none"> IUCN_GB_pre94:R 	2005	2005	1
	<i>Bruchus atomarius</i>	Bruchus atomarius	<ul style="list-style-type: none"> Nationally Scarce 	2005	2005	1
	<i>Calomicrus circumfusus</i>	Calomicrus circumfusus	<ul style="list-style-type: none"> Nationally Scarce 	2003	2003	2
	<i>Cantharis fusca</i>	Cantharis fusca	<ul style="list-style-type: none"> Nationally Scarce 	2004	2013	6
	<i>Cassida nobilis</i>	Cassida nobilis	<ul style="list-style-type: none"> Nationally Scarce 	2006	2006	1

<i>Cerapheles terminatus</i>	Cerapheles terminatus	• Nationally Rare	2004	2012	4
<i>Cordicollis instabilis</i>	Cordicollis instabilis	• Nationally Scarce	2003	2003	1
<i>Cryptocephalus aureolus</i>	Cryptocephalus aureolus	• Nationally Scarce	2010	2010	1
<i>Dasytes niger</i>	Dasytes niger	• Nationally Rare	2012	2012	1
<i>Demetrias (Risophilus) imperialis</i>	Demetrias (Risophilus) imperialis	• Nationally Scarce	1983	2004	3
<i>Dicheirotichus obsoletus</i>	Dicheirotichus obsoletus	• Nationally Scarce	2012	2012	1
<i>Donacia thalassina</i>	Donacia thalassina	• Nationally Scarce	2008	2008	1
<i>Helops caeruleus</i>	Helops caeruleus	• Nationally Scarce	1984	2004	5
<i>Hippodamia (Adonia) variegata</i>	Adonis' Ladybird	• Nationally Scarce	2003	2003	1
<i>Hypera (Hypera) fuscocinerea</i>	Hypera (Hypera) fuscocinerea	• Nationally Scarce	2005	2005	1
<i>Lixus (Eulixus) scabricollis</i>	Lixus (Eulixus) scabricollis	• IUCN_GB_pre94:IK	2002	2006	6
<i>Longitarsus dorsalis</i>	Longitarsus dorsalis	• Nationally Scarce	2002	2002	1
<i>Longitarsus parvulus</i>	Flax Flea Beetle	• Nationally Scarce	2006	2006	1
<i>Lucanus cervus</i>	Stag Beetle	• Annex II of the Habitats Directive (non-priority species) Nationally Scarce Priority Species listed under Section 41 of the Natural Environment and Rural Communities Act 2006 Hampshire BAP	1998	2013	51
<i>Magdalis (Porrothus) cerasi</i>	Magdalis (Porrothus) cerasi	• Nationally Scarce	2012	2012	1
<i>Mecinus circulatus</i>	Mecinus circulatus	• Nationally Scarce	2015	2015	1
<i>Neliocarus faber</i>	Neliocarus faber	• Nationally Scarce	1973	2013	4
<i>Nicrophorus interruptus</i>	Nicrophorus interruptus	• Nationally Scarce	2015	2015	1
<i>Notaris scirpi</i>	Notaris scirpi	• Nationally Scarce	1977	2003	3
<i>Oedemera (Oncomera) femoralis</i>	Oedemera (Oncomera) femoralis	• Nationally Scarce	2002	2002	1
<i>Orsodacne cerasi</i>	Orsodacne cerasi	• Nationally Scarce	2011	2011	1
<i>Orsodacne humeralis</i>	Orsodacne humeralis	• Nationally Scarce	2006	2007	2

	<i>Paracorymbia fulva</i>	Paracorymbia fulva	• IUCN_GB_pre94:R	2011	2012	2
	<i>Phaleria cadaverina</i>	Phaleria cadaverina	• Nationally Scarce	2003	2003	3
	<i>Pilemostoma fastuosa</i>	Pilemostoma fastuosa	• IUCN_GB_2001:NT Nationally Rare Nationally Scarce	2012	2012	1
	<i>Polydrusus (Eurodrusus) confluens</i>	Polydrusus (Eurodrusus) confluens	• Nationally Scarce	2008	2008	1
	<i>Polydrusus (Neoeustolus) pulchellus</i>	Sea-Wormwood Weevil	• Nationally Scarce	2005	2005	1
	<i>Pselactus spadix</i>	Pselactus spadix	• Nationally Scarce	2004	2004	1
	<i>Pyrochroa coccinea</i>	Black-headed Cardinal Beetle	• Nationally Scarce	2008	2008	1
	<i>Silpha obscura</i>	Silpha obscura	• IUCN_GB_pre94:VU	2003	2003	1
	<i>Sitona waterhousei</i>	Sitona waterhousei	• Nationally Scarce	2006	2006	1
	<i>Tanymecus palliatus</i>	Tanymecus palliatus	• Nationally Scarce	2006	2006	1
	<i>Tetratoma desmarestii</i>	Tetratoma desmarestii	• Nationally Scarce	2002	2002	1
	<i>Thinobius bicolor</i>	Thinobius bicolor	• Nationally Scarce	2008	2008	1
Invertebrates - Dermaptera	<i>Forficula lesnei</i>	Lesne's Earwig	• Nationally Scarce	2005	2013	8
Invertebrates - Diptera	<i>Cistogaster globosa</i>	Cistogaster globosa	• IUCN_GB_pre94:EN	2012	2012	1
	<i>Leopoldius signatus</i>	Leopoldius signatus	• Nationally Notable	1992	2008	3
	<i>Melieria picta</i>	Melieria picta	• Nationally Notable	2003	2003	3
	<i>Myolepta dubia</i>	Myolepta dubia	• Nationally Notable Nationally Scarce	2008	2008	1
	<i>Opomyza punctata</i>	Opomyza punctata	• Nationally Notable	2003	2003	1
Invertebrates - Hemiptera	<i>Aquarius najas</i>	River Skater	• Nationally Scarce	2015	2015	1
	<i>Eurygaster maura</i>	Eurygaster maura	• Nationally Scarce	2007	2007	1
	<i>Gonocerus acuteangulatus</i>	Box Bug	• IUCN_GB_pre94:EN	2005	2007	4
	<i>Lygus pratensis</i>	Lygus pratensis	• IUCN_GB_pre94:R	2003	2006	5
	<i>Nysius graminicola</i>	Nysius graminicola	• IUCN_GB_pre94:R	2003	2006	3

	<i>Orthotylus (Melanotrichus) moncreaffi</i>	Orthotylus (Melanotrichus) moncreaffi	• IUCN_GB_pre94:R Hampshire BAP	2003	2006	2
	<i>Psallus (Psallus) albicinctus</i>	Psallus (Psallus) albicinctus	• Nationally Scarce	2008	2008	2
	<i>Saldula pilosella</i>	Saldula pilosella	• Nationally Scarce	2003	2003	1
	<i>Stictopleurus abutilon</i>	Stictopleurus abutilon	• IUCN_GB_pre94:EX	2010	2010	1
Invertebrates - Hymenoptera	<i>Andrena (Hoplandrena) trimmerana</i>	Trimmer's Mining Bee	• Nationally Scarce	2012	2013	2
	<i>Andrena (Poecilandrena) labiata</i>	Red-girdled Mining Bee	• Nationally Scarce	2003	2007	3
	<i>Aporus unicolor</i>	Aporus unicolor	• Nationally Scarce	2015	2015	1
	<i>Chrysis gracillima</i>	Chrysis gracillima	• IUCN_GB_pre94:VU	2003	2005	2
	<i>Crossocerus (Crossocerus) distinguendus</i>	Crossocerus (Crossocerus) distinguendus	• Nationally Scarce	2015	2015	2
	<i>Dolichovespula (Dolichovespula) media</i>	Dolichovespula (Dolichovespula) media	• Nationally Scarce	1994	2008	3
	<i>Formica rufa</i>	Red Wood Ant	• Hampshire BAP County Scarce	2003	2003	1
	<i>Hylaeus (Lamdopsis) annularis</i>	Hylaeus (Lamdopsis) annularis	• IUCN_GB_pre94:R	2005	2005	1
	<i>Lasioglossum (Evylaeus) malachurum</i>	Sharp-collared Furrow Bee	• Nationally Scarce	2002	2005	3
	<i>Mutilla europaea</i>	Large Velvet Ant	• Nationally Scarce	2010	2010	2
	<i>Nomada fucata</i>	Painted Nomad Bee	• Nationally Scarce	2012	2012	2
	<i>Philanthus triangulum</i>	Bee Wolf	• IUCN_GB_pre94:VU	2003	2013	3
	<i>Sphecodes crassus</i>	Swollen-thighed Blood Bee	• Nationally Scarce	2005	2013	3
Invertebrates - Lepidoptera	<i>Acronicta psi</i>	Grey Dagger	• Priority Species listed under Section 41 of the Natural Environment and Rural Communities Act 2006	2002	2015	4
	<i>Acronicta rumicis</i>	Knot Grass	• Priority Species listed under Section 41 of the Natural Environment and Rural Communities Act 2006	2004	2015	2
	<i>Adela cuprella</i>	Early Long-horn	• County Rare	2012	2015	3
	<i>Aethes williana</i>	Silver Carrot Conch	• County Rare	2006	2006	1
	<i>Agdistis bennetii</i>	Saltmarsh Plume	• County Rare	2014	2014	1

<i>Agriopsis aurantiaria</i>	Scarce Umber	• County Scarce	2013	2013	1
<i>Agrochola helvola</i>	Flounced Chestnut	• Priority Species listed under Section 41 of the Natural Environment and Rural Communities Act 2006	2004	2004	1
<i>Agrochola lychnidis</i>	Beaded Chestnut	• Priority Species listed under Section 41 of the Natural Environment and Rural Communities Act 2006	2003	2003	1
<i>Amphipoea oculea</i>	Ear Moth	• Priority Species listed under Section 41 of the Natural Environment and Rural Communities Act 2006	2003	2014	2
<i>Arctia caja</i>	Garden Tiger	• Priority Species listed under Section 41 of the Natural Environment and Rural Communities Act 2006	2005	2005	1
<i>Argynnis aglaja</i>	Dark Green Fritillary	• County Scarce	2005	2005	1
<i>Argynnis paphia</i>	Silver-washed Fritillary	• Hampshire BAP County Interest	2003	2016	46
<i>Aspitates ochrearia</i>	Yellow Belle	• County Scarce	1995	2015	5
<i>Caradrina morpheus</i>	Mottled Rustic	• Priority Species listed under Section 41 of the Natural Environment and Rural Communities Act 2006	2005	2014	3
<i>Chesias legatella</i>	Streak	• Priority Species listed under Section 41 of the Natural Environment and Rural Communities Act 2006 County Scarce	2009	2009	1
<i>Chlorissa viridata</i>	Small Grass Emerald	• Hampshire BAP	2006	2006	1
<i>Cirrhia icteritia</i>	Sallow	• Priority Species listed under Section 41 of the Natural Environment and Rural Communities Act 2006	2013	2013	1
<i>Coenonympha pamphilus</i>	Small Heath	• IUCN_GB_2001:NT Priority Species listed under Section 41 of the Natural Environment and Rural Communities Act 2006	1996	2015	15
<i>Coleophora limosipennella</i>	Dark Elm Case-bearer	• County Rare	2012	2012	2
<i>Coleophora maritimella</i>	Sea-rush Case-bearer	• County Rare	2012	2012	3
<i>Coleophora pyrrhulipennella</i>	Ling Case-bearer	• County Rare	2004	2005	2
<i>Coleophora salinella</i>	Sea-purslane Case-bearer	• County Rare	2003	2003	1
<i>Cosmopterix scribaiella</i>	New Marsh Cosmet	• County Scarce	2003	2011	3
<i>Cryphia algae</i>	Tree-lichen Beauty	• County Rare	2005	2005	1

<i>Cupido minimus</i>	Small Blue	<ul style="list-style-type: none"> IUCN_GB_2001:NT Priority Species listed under Section 41 of the Natural Environment and Rural Communities Act 2006 Hampshire BAP County Scarce 	2010	2014	2
<i>Diarsia rubi</i>	Small Square-spot	<ul style="list-style-type: none"> Priority Species listed under Section 41 of the Natural Environment and Rural Communities Act 2006 	2006	2008	5
<i>Dolicharthria punctalis</i>	Long-legged China-mark	<ul style="list-style-type: none"> Nationally Scarce 	1994	2003	4
<i>Ecliptopera silaceata</i>	Small Phoenix	<ul style="list-style-type: none"> Priority Species listed under Section 41 of the Natural Environment and Rural Communities Act 2006 	2002	2009	4
<i>Eilema sororcula</i>	Orange Footman	<ul style="list-style-type: none"> Hampshire BAP 	2003	2011	4
<i>Ennomos fuscantaria</i>	Dusky Thorn	<ul style="list-style-type: none"> Priority Species listed under Section 41 of the Natural Environment and Rural Communities Act 2006 	2009	2009	1
<i>Ephestia parasitella</i>	False Cacao Moth	<ul style="list-style-type: none"> County Rare 	2004	2004	1
<i>Epiblema sticticana</i>	Colt's-foot Bell	<ul style="list-style-type: none"> County Rare 	2015	2015	1
<i>Eugnorisma glareosa</i>	Autumnal Rustic	<ul style="list-style-type: none"> Priority Species listed under Section 41 of the Natural Environment and Rural Communities Act 2006 County Scarce 	2013	2013	1
<i>Eupithecia simpliciata</i>	Plain Pug	<ul style="list-style-type: none"> County Scarce 	2003	2003	1
<i>Eupithecia subumbrata</i>	Shaded Pug	<ul style="list-style-type: none"> County Scarce 	2002	2002	2
<i>Euxoa tritici</i>	White-line Dart	<ul style="list-style-type: none"> Priority Species listed under Section 41 of the Natural Environment and Rural Communities Act 2006 County Scarce 	1998	2014	2
<i>Grapholita internana</i>	Dark Gorse Piercer	<ul style="list-style-type: none"> County Rare 	2011	2013	2
<i>Hadena perplexa</i>	Tawny Shears	<ul style="list-style-type: none"> County Scarce 	2002	2002	1
<i>Hipparchia semele</i>	Grayling	<ul style="list-style-type: none"> IUCN_GB_2001:VU Priority Species listed under Section 41 of the Natural Environment and Rural Communities Act 2006 	2009	2010	2
<i>Hoplodrina blanda</i>	Rustic	<ul style="list-style-type: none"> Priority Species listed under Section 41 of the Natural Environment and Rural Communities Act 2006 	2002	2014	4
<i>Lacanobia suasa</i>	Dog's Tooth	<ul style="list-style-type: none"> County Scarce 	2002	2002	1
<i>Larentia clavaria</i>	Mallow	<ul style="list-style-type: none"> County Scarce 	2002	2005	3

<i>Lasiommata megera</i>	Wall	<ul style="list-style-type: none"> IUCN_GB_2001:NT Priority Species listed under Section 41 of the Natural Environment and Rural Communities Act 2006 County Scarce	2005	2012	6
<i>Limenitis camilla</i>	White Admiral	<ul style="list-style-type: none"> IUCN_GB_2001:VU Priority Species listed under Section 41 of the Natural Environment and Rural Communities Act 2006	1996	2012	20
<i>Lithophane semibrunnea</i>	Tawny Pinion	<ul style="list-style-type: none"> County Scarce 	2007	2007	1
<i>Litologia literosa</i>	Rosy Minor	<ul style="list-style-type: none"> Priority Species listed under Section 41 of the Natural Environment and Rural Communities Act 2006 	2005	2009	2
<i>Malacosoma neustria</i>	Lackey	<ul style="list-style-type: none"> Priority Species listed under Section 41 of the Natural Environment and Rural Communities Act 2006 	2002	2012	8
<i>Melanthia procellata</i>	Pretty Chalk Carpet	<ul style="list-style-type: none"> Priority Species listed under Section 41 of the Natural Environment and Rural Communities Act 2006 	2003	2003	1
<i>Oncocera semirubella</i>	Rosy-striped Knot-horn	<ul style="list-style-type: none"> Nationally Scarce 	2014	2014	1
<i>Panemeria tenebrata</i>	Small Yellow Underwing	<ul style="list-style-type: none"> County Scarce 	2006	2006	2
<i>Perizoma albulata</i>	Grass Rivulet	<ul style="list-style-type: none"> County Scarce 	2011	2011	1
<i>Phyllonorycter salictella</i>	Willow Midget	<ul style="list-style-type: none"> County Rare 	2003	2003	1
<i>Platytes cerussella</i>	Little Grass-veneer	<ul style="list-style-type: none"> County Rare 	1994	2006	5
<i>Plebejus argus</i>	Silver-studded Blue	<ul style="list-style-type: none"> IUCN_GB_2001:VU Priority Species listed under Section 41 of the Natural Environment and Rural Communities Act 2006 Hampshire BAP County Interest	1982	2013	6
<i>Polymixis lichenea</i>	Feathered Ranunculus	<ul style="list-style-type: none"> County Scarce 	2000	2009	5
<i>Polyommatus bellargus</i>	Adonis Blue	<ul style="list-style-type: none"> IUCN_GB_2001:NT Hampshire BAP County Rare	2003	2003	1
<i>Pyrgus malvae</i>	Grizzled Skipper	<ul style="list-style-type: none"> IUCN_GB_2001:VU Priority Species listed under Section 41 of the Natural Environment and Rural Communities Act 2006 County Interest	1996	2009	18
<i>Rhizedra lutosa</i>	Large Wainscot	<ul style="list-style-type: none"> Priority Species listed under Section 41 of the Natural Environment 	1995	2002	4

			and Rural Communities Act 2006			
	<i>Saturnia pavonia</i>	Emperor Moth	• County Scarce	2004	2004	1
	<i>Satyrrium w-album</i>	White-letter Hairstreak	• IUCN_GB_2001:EN Priority Species listed under Section 41 of the Natural Environment and Rural Communities Act 2006 Hampshire BAP County Scarce	2001	2009	15
	<i>Scrobipalpa instabilella</i>	Saltern Groundling	• County Rare	2012	2012	2
	<i>Sitochroa palealis</i>	Sulphur Pearl	• Nationally Notable	1994	2010	4
	<i>Spilosoma lubricipeda</i>	White Ermine	• Priority Species listed under Section 41 of the Natural Environment and Rural Communities Act 2006	2003	2012	2
	<i>Spilosoma lutea</i>	Buff Ermine	• Priority Species listed under Section 41 of the Natural Environment and Rural Communities Act 2006	2005	2005	1
	<i>Stenoptilia zophodactylus</i>	Dowdy Plume	• County Rare	2014	2014	1
	<i>Stigmella aeneofasciella</i>	Brassy Pigmy	• County Rare	2008	2008	4
	<i>Synaphe punctalis</i>	Long-legged Tabby	• Nationally Scarce	1998	2014	4
	<i>Timandra comae</i>	Blood-Vein	• Priority Species listed under Section 41 of the Natural Environment and Rural Communities Act 2006	2006	2006	1
	<i>Tyria jacobaeae</i>	Cinnabar	• Priority Species listed under Section 41 of the Natural Environment and Rural Communities Act 2006	1993	2014	30
	<i>Watsonalla binaria</i>	Oak Hook-tip	• Priority Species listed under Section 41 of the Natural Environment and Rural Communities Act 2006	2004	2006	5
	<i>Zygaena trifolii</i>	Five-spot Burnet	• County Scarce	2011	2011	1
Invertebrates - Mollusca	<i>Arion (Arion) ater</i>	Large Black Slug	• IUCN_GB_2001:DD	1998	2010	8
	<i>Ashfordia granulata</i>	Silky Snail	• Hampshire BAP County Scarce	2007	2007	2
Invertebrates - Odonata	<i>Ceriagrion tenellum</i>	Small Red Damselfly	• Hampshire BAP	2013	2013	1
	<i>Cordulia aenea</i>	Downy Emerald	• Hampshire BAP	2002	2005	5
	<i>Ischnura pumilio</i>	Scarce Blue-tailed Damselfly	• IUCN_GB_2001:NT Hampshire BAP	2002	2002	5
	<i>Libellula fulva</i>	Scarce Chaser	• IUCN_GB_2001:NT Hampshire BAP	2013	2013	1

	<i>Orthetrum coerulescens</i>	Keeled Skimmer	<ul style="list-style-type: none"> • Hampshire BAP 	2005	2013	3
Invertebrates - Orthoptera	<i>Nemobius sylvestris</i>	Wood Cricket	<ul style="list-style-type: none"> • Nationally Scarce 	2006	2006	1
	<i>Omocestus rufipes</i>	Woodland Grasshopper	<ul style="list-style-type: none"> • Nationally Scarce 	2008	2008	1
Lichens	<i>Cladonia coniocraea</i>	Cladonia coniocraea	<ul style="list-style-type: none"> • Annex V Habitats Directive 	2002	2002	1
Lower plants - Liverworts, Hornworts & Mosses	<i>Leucobryum glaucum</i>	Large White-moss	<ul style="list-style-type: none"> • Annex V Habitats Directive 	1999	2009	9
	<i>Pallavicinia lyellii</i>	Ribbonwort	<ul style="list-style-type: none"> • Priority Species listed under Section 41 of the Natural Environment and Rural Communities Act 2006 Hampshire BAP 	2001	2006	4
	<i>Sphagnum</i>	Bog Moss	<ul style="list-style-type: none"> • Annex V Habitats Directive 	1991	2015	7
	<i>Sphagnum denticulatum</i>	Sphagnum denticulatum	<ul style="list-style-type: none"> • Annex V Habitats Directive 	1999	1999	1
	<i>Sphagnum fallax</i>	Flat-topped Bog-moss	<ul style="list-style-type: none"> • Annex V Habitats Directive 	1999	1999	1
	<i>Sphagnum fimbriatum</i>	Fringed Bog-moss	<ul style="list-style-type: none"> • Annex V Habitats Directive 	1999	1999	1
	<i>Sphagnum palustre</i>	Blunt-leaved Bog-moss	<ul style="list-style-type: none"> • Annex V Habitats Directive 	2004	2015	2
	<i>Sphagnum recurvum</i>	Sphagnum recurvum	<ul style="list-style-type: none"> • Annex V Habitats Directive 	2004	2004	2
Mammals - Marine	<i>Halichoerus grypus</i>	Grey Seal	<ul style="list-style-type: none"> • Annex II of the Habitats Directive (non-priority species) Annex V Habitats Directive 	2009	2010	4
	<i>Phoca vitulina</i>	Common Seal	<ul style="list-style-type: none"> • Annex II of the Habitats Directive (non-priority species) Annex V Habitats Directive 	2008	2010	12
Mammals - Terrestrial (bats)	<i>Chiroptera</i>	Bats	<ul style="list-style-type: none"> • Annex II of the Habitats Directive (non-priority species) Annex IV Habitats Directive Schedule 2 of Conservation of Habitats and Species Regulations 2010 Priority Species listed under Section 41 of the Natural Environment and Rural Communities Act 2006 Schedule 5 Section 9 (4b); Schedule 5 Section 9 (4c) of Wildlife & Countryside Act 1981 Hampshire BAP County Interest 	1988	2016	11

	<i>Eptesicus serotinus</i>	Serotine	<ul style="list-style-type: none"> Annex IV Habitats Directive Schedule 2 of Conservation of Habitats and Species Regulations 2010 Schedule 5 Section 9 (4b); Schedule 5 Section 9 (4c) of Wildlife & Countryside Act 1981 Hampshire BAP 	1987	2016	19
	<i>Myotis</i>	Unidentified Bat	<ul style="list-style-type: none"> Annex II of the Habitats Directive (non-priority species) Annex IV Habitats Directive Schedule 2 of Conservation of Habitats and Species Regulations 2010 Priority Species listed under Section 41 of the Natural Environment and Rural Communities Act 2006 Schedule 5 Section 9 (4b); Schedule 5 Section 9 (4c) of Wildlife & Countryside Act 1981 Hampshire BAP County Interest 	2004	2016	6
	<i>Myotis daubentonii</i>	Daubenton's Bat	<ul style="list-style-type: none"> Annex IV Habitats Directive Schedule 2 of Conservation of Habitats and Species Regulations 2010 Schedule 5 Section 9 (4b); Schedule 5 Section 9 (4c) of Wildlife & Countryside Act 1981 	2001	2016	5
	<i>Myotis mystacinus</i>	Whiskered Bat	<ul style="list-style-type: none"> Annex IV Habitats Directive Schedule 2 of Conservation of Habitats and Species Regulations 2010 Schedule 5 Section 9 (4b); Schedule 5 Section 9 (4c) of Wildlife & Countryside Act 1981 	2011	2016	3
	<i>Myotis mystacinus/brandtii</i>	Whiskered/Brandt's Bat	<ul style="list-style-type: none"> Schedule 2 of Conservation of Habitats and Species Regulations 2010 Schedule 5 Section 9 (4b); Schedule 5 Section 9 (4c) of Wildlife & Countryside Act 1981 	2001	2016	4

	<i>Myotis nattereri</i>	Natterer's Bat	<ul style="list-style-type: none"> Annex IV Habitats Directive Schedule 2 of Conservation of Habitats and Species Regulations 2010 Schedule 5 Section 9 (4b); Schedule 5 Section 9 (4c) of Wildlife & Countryside Act 1981 	2003	2016	34
	<i>Nyctalus noctula</i>	Noctule Bat	<ul style="list-style-type: none"> Annex IV Habitats Directive Schedule 2 of Conservation of Habitats and Species Regulations 2010 Priority Species listed under Section 41 of the Natural Environment and Rural Communities Act 2006 Schedule 5 Section 9 (4b); Schedule 5 Section 9 (4c) of Wildlife & Countryside Act 1981 	1997	2016	28
	<i>Pipistrellus</i>	Pipistrelle Bat species	<ul style="list-style-type: none"> Annex IV Habitats Directive Schedule 2 of Conservation of Habitats and Species Regulations 2010 Priority Species listed under Section 41 of the Natural Environment and Rural Communities Act 2006 Schedule 5 Section 9 (4b); Schedule 5 Section 9 (4c) of Wildlife & Countryside Act 1981 Hampshire BAP 	1984	2015	63
	<i>Pipistrellus pipistrellus</i>	Pipistrelle	<ul style="list-style-type: none"> Annex IV Habitats Directive Schedule 2 of Conservation of Habitats and Species Regulations 2010 Schedule 5 Section 9 (4b); Schedule 5 Section 9 (4c) of Wildlife & Countryside Act 1981 Hampshire BAP 	2000	2016	47
	<i>Pipistrellus pygmaeus</i>	Soprano Pipistrelle	<ul style="list-style-type: none"> Annex IV Habitats Directive Schedule 2 of Conservation of Habitats and Species Regulations 2010 Priority Species listed under Section 41 of the Natural Environment and Rural Communities Act 2006 Schedule 5 Section 9 (4b); Schedule 5 Section 9 (4c) of Wildlife & Countryside Act 1981 Hampshire BAP 	1999	2016	39

	<i>Plecotus</i>	Long-eared Bat species	<ul style="list-style-type: none"> Annex IV Habitats Directive Schedule 2 of Conservation of Habitats and Species Regulations 2010 Priority Species listed under Section 41 of the Natural Environment and Rural Communities Act 2006 Schedule 5 Section 9 (4b); Schedule 5 Section 9 (4c) of Wildlife & Countryside Act 1981 Hampshire BAP County Interest 	1997	2016	7
	<i>Plecotus auritus</i>	Brown Long-eared Bat	<ul style="list-style-type: none"> Annex IV Habitats Directive Schedule 2 of Conservation of Habitats and Species Regulations 2010 Priority Species listed under Section 41 of the Natural Environment and Rural Communities Act 2006 Schedule 5 Section 9 (4b); Schedule 5 Section 9 (4c) of Wildlife & Countryside Act 1981 	1986	2016	30
Mammals - Terrestrial (non-bats)	<i>Arvicola amphibius</i>	European Water Vole	<ul style="list-style-type: none"> Priority Species listed under Section 41 of the Natural Environment and Rural Communities Act 2006 Schedule 5 Section 9 (4b); Schedule 5 Section 9 (4b); Schedule 5 Section 9 (4c) of Wildlife & Countryside Act 1981 Hampshire BAP County Interest 	2002	2009	2
	<i>Erinaceus europaeus</i>	West European Hedgehog	<ul style="list-style-type: none"> Priority Species listed under Section 41 of the Natural Environment and Rural Communities Act 2006 	2006	2013	24
	<i>Lutra lutra</i>	European Otter	<ul style="list-style-type: none"> Annex II of the Habitats Directive (non-priority species) Annex IV Habitats Directive Schedule 2 of Conservation of Habitats and Species Regulations 2010 Priority Species listed under Section 41 of the Natural Environment and Rural Communities Act 2006 Schedule 5 Section 9 (4b); Schedule 5 Section 9 (4c) of Wildlife & Countryside Act 1981 Hampshire BAP 	2006	2006	1
	<i>Meles meles</i>	Eurasian Badger	<ul style="list-style-type: none"> Protection of Badgers Act 1992 	2008	2014	4

	<i>Neomys fodiens</i>	Eurasian Water Shrew	<ul style="list-style-type: none">• Hampshire BAPCounty Scarce	2009	2009	1
--	-----------------------	----------------------	---	------	------	---

Appendix 3:
Map showing location of statutory designated sites

Appendix 4:
Map showing location of non-statutory designated sites

Appendix 5:

Botanical species list compiled during Phase 1 habitat survey with a qualitative measure of abundance based on DAFOR scale

Appendix 5: Botanical species list compiled during Phase 1 habitat survey with a qualitative measure of abundance based on DAFOR scale.

The DAFOR scale provides an assessment of the abundance of particular species.

D = Dominant, A = Abundant, F = Frequent, O = Occasional, R = Rare. Species can also be Locally Dominant (LD) or Locally Abundant (LA) meaning there is a particularly dense patch but it does not extend to an entire area, for example a nettle bed.

English Name	Scientific Name	DAFOR								
		Donkey derby field	Heather gardens	Hamble green	Cemetery	Westfield common	Mercury marshes	Mount pleasant recreation ground	College playing fields	Allotments
Annual meadow grass	<i>Poa annua</i>	R		O		R		F	O	
Apple	<i>Malus sp.</i>						R			
Apple	<i>Malus pumila</i>							R		
Ash	<i>Fraxinus excelsior</i>	R	R			R	O	R	O	O
Azalea	<i>Rhododendron sp.</i>						R			
Bamboo	<i>Bambusoideae sp.</i>		LA				R			
Beech	<i>Fagus sylvatica</i>		R							
Black bryony	<i>Dioscorea communis</i>							R		
Black medick	<i>Medicago lupulina</i>	R								
Blackthorn	<i>Prunus spinosa</i>					R	R			
Box	<i>Buxus sp.</i>	LA								
Bracken	<i>Pteridium sp.</i>	LA	R			F	R			O
Bramble	<i>Rubus fruticosus</i>	LA	F		O	F	O	O	R	
Broad-leaved dock	<i>Rumex obtusifolius</i>	O		R	O		R		R	O
Broom	<i>Cytisus scoparius spp scoparius</i>						R			
Butcher's-broom	<i>Ruscus aculeatus</i>		R			R				
Cat's-ear	<i>Hypochaeris radicata</i>	R			O	R	R			

Iris	<i>Iris sp.</i>				R					R
Ivy	<i>Hedera helix</i>	LA	A		LF	LA	O	LA	R	O
Knotgrass	<i>Polygonum aviculare</i>			O		R				
Lesser burdock	<i>Arctium minus</i>					R				
Lesser stitchwort	<i>Stellaria graminea</i>				F					
Lime sp.	<i>Tilia sp.</i>								R	
Lime sp. (hybrid)	<i>Tilia sp.</i>			O						
Male fern	<i>Dryopteris filix-mas</i>		R							
Maple sp.	<i>Acer sp.</i>		R							
Meadow buttercup	<i>Ranunculus acris</i>	R								
Musk-mallow	<i>Malva moschata</i>						R			
Nipplewort	<i>Lapsana communis</i>				R					
Norway maple	<i>Acer platanoides</i>							R		
Osier	<i>Salix viminalis</i>								R	
Pampas grass	<i>Cortaderia selloana</i>						R			
Pear	<i>Pyrus sp.</i>								R	
Pedunculate oak	<i>Quercus robur</i>	R	O	O		O	O	O	R	
Pendulous sedge	<i>Carex pendula</i>						R			
Perennial rye grass	<i>Lolium perenne</i>								O	
Pine	<i>Pinus sp.</i>		R						R	
Prickly sow-thistle	<i>Sonchus asper</i>			R	R					R
Privet	<i>Ligustrum sp.</i>						R		R	
Purple toadflax	<i>Linaria purpurea</i>									R
Red clover	<i>Trifolium pratense</i>	R			R		R			
Red dead nettle	<i>Lamium purpureum</i>			R		R				R
Red fescue	<i>Festuca rubra agg.</i>	O								
Redshank	<i>Persicaria maculosa</i>						R		R	
Rhododendron	<i>Rhododendron ponticum</i>		R				O			
Ribwort plantain	<i>Plantago lanceolata</i>	O		F		R	O	O	R	O

Rose	<i>Rosa sp.</i>					R	R	R	R	
Rough hawkbit	<i>Leontodon hispidus</i>	O		O						
Rowan	<i>Sorbus aucuparia</i>				O		R		R	
Scarlet pimpernel	<i>Anagallis arvensis</i>				R				R	
Scented mayweed	<i>Matricaria chamomilla</i>					R				
Scots pine	<i>Pinus sylvestris</i>							R		
Sea beet	<i>Beta vulgaris subsp. maritima</i>					O				
Sea couch	<i>Agropyron pungens</i>					LA				
Sessile oak	<i>Quercus petraea</i>					R				
Sheeps sorrel	<i>Rumex acetosella</i>	R		O						
Silver birch	<i>Betula pendula</i>		R			R				
Small-leaved lime	<i>Tilia cordata</i>			R						
Smooth sow-thistle	<i>Sonchus oleraceus</i>					R				
Snowberry	<i>Symphoricarpos albus</i>						R			
Spear thistle	<i>Cirsium vulgare</i>								O	
Sweet chestnut	<i>Castanea sativa</i>	R			R				R	
Sweet flag	<i>Acorus calamus</i>		O							
Sycamore	<i>Acer pseudoplatanus</i>	LA	A	R	R	O		O		
Variegated yellow archangel	<i>Lamiaeum galeobdolon subsp. argentatum</i>					R				
White clover	<i>Trifolium repens</i>	R		O	O	O	O	O	O	
White dead nettle	<i>Lamium album</i>							R		
Wild strawberry	<i>Fragaria vesca</i>						R			
Willow sp.	<i>Salix sp.</i>						O	F		
Wilson's honeysuckle	<i>Lonicera nitida</i>									LA
Wood avens	<i>Geum urbanum</i>		O		F	O	R	O		
Wood forget-me-not	<i>Myosotis sylvatica</i>				R					
Wood sage	<i>Teucrium scorodonia</i>					R				R
Wood speedwell	<i>Veronica montana</i>				R					

Wood spurge	<i>Euphorbia amygdaloides</i>				R	R				
Yarrow	<i>Achillea millefolium</i>	O		O	F	R		O	F	
Yew	<i>Taxus baccata</i>		O		R		R			
Yorkshire fog	<i>Holcus lanatus</i>	R			O	R				

Ad-hoc species sightings:

Group	Species	Scientific Name
Lepidoptera (butterflies)	Small copper	<i>Lycaena phlaeas</i>
	Speckled wood	<i>Pararge aegeria</i>
Hymenoptera (bumblebees)	Carder bee	<i>Bombus pascuorum</i>
Odonata (Dragonflies & damselflies)	Emperor dragonfly	<i>Anax imperator</i>
Diptera (flies)	Cranefly	
	Hoverfly	
Birds	Great tit	<i>Parus major</i>
	Magpie	<i>Pica pica</i>
	Robin	<i>Erithacus rubecula</i>
	Wood pigeon	<i>Columba palumbus</i>
Mammals	Grey squirrel	<i>Sciurus carolinensis</i>

Appendix 6:
Bog garden creation

Appendix 6: Bog garden creation

Bog gardens are excellent habitats for wildlife, such as for young frogs, due to the dense, damp vegetation they support. They can be stand-alone features, or adjacent to a pond to create an extensive area of suitable wildlife habitat.

Bog gardens need to be permanently damp, so should be created in a naturally wet area or where run-off can collect e.g. in a natural depression. If the area for creation is not naturally wet/damp, this can be achieved by using a leaky hose pipe buried into the soil that is blocked at one end and connected to a tap or water butt (further details can be found on the RHS link below). Ideally bog gardens should be located in an area that receives full sunlight for at least part of the day.

Method

- Dig a hole approximately 30 to 45cm deep and to the desired width and length;
- Line the hole with butyl pond liner or polythene sheeting. The liner should extend at least 30cm beyond the edge of the hole to allow for settling;
- Weigh down the edge of the liner with bricks/large stones;
- Pierce the liner at 1 metre intervals using a garden fork. This means water will be retained but some drainage can occur to stop water pooling;
- Line the hole with gravel;
- Refill the newly lined hole with the extracted soil.

Native plants with attractive flowers:

- Bugle (*Ajuga reptans*)
- Common skullcap (*Scutellaria Galericulata*)
- Cowslip (*Primula veris*)
- Lady's smock (*Cardamine pratensis*)
- Lesser spearwort (*Ranunculus flammula*)
- Marsh woundwort (*Stachys palustris*)
- Meadowsweet (*Filipendula ulmaria*)
- Purple loosestrife (*Lythrum salicaria*)
- Ragged robin (*Lychnis flos-cuculi*)

The list above has avoided large, vigorous growing species, as unless the bog garden is very large they will dominate and out-compete other species.

Sources of information:

- Natural England – Garden ponds and boggy areas: havens for wildlife
[http://www.wlgf.org/ne27garden_ponds\[1\].pdf](http://www.wlgf.org/ne27garden_ponds[1].pdf)
- Royal Horticultural Society – Bog gardens
<https://www.rhs.org.uk/advice/profile?PID=356#section-3>

Appendix 7:
Natural England Technical Information Note TIN064: Sward Enhancement

GLOSSARY

Glossary of Biodiversity Terms and Acronyms

Biodiversity – the diversity of life in an area.

Biodiversity Opportunity Area (BOA) – regional priority areas of opportunity for restoration and creation of Biodiversity Action Plan habitats.

Buffer zone - a strip that partially or fully encloses an area to protect the inner section from ecological disturbance by outside pressures.

Corridor - the principle of connections between wildlife habitats. Closely related to the theory of fragmentation, ecological corridors aim to provide a corridor for migration of all species between suitable habitat areas.

Ecosystem - the interactions of animals, plants, fungi, and micro-organisms with each other and the non-living world.

Ecosystem Services – the natural resources and processes supplied by the ecosystem.

Edge-effects – where much of the biodiversity in small or narrow sites is under the influence of factors from outside the site. Larger blocks of habitat have an inner core which is buffered from these influences.

Eutrophication – the enrichment by nutrients of waterbodies leading to algal blooms which disrupt the ecosystem.

Fragmentation - the disruption of large areas of habitat into smaller, separate units. Involves both a total loss of habitat area and the isolation of remaining habitat patches, which prevents interaction between some organisms located in the fragments, and renders them effectively separate populations.

Green Infrastructure – a term used to describe the accessible ‘multi-functional’ green space that should accompany housing developments for residents’ quality of life. These areas provide potential direct and indirect benefits for biodiversity.

Habitat - a place where animals, plants, fungi, and micro-organisms live.

HLF – Heritage Lottery Fund

Improved land – land that has been improved for the purposes of agricultural production, usually through ploughing, sowing, drainage, and the application of fertilisers.

Invasive alien species - species from other countries not naturally found growing in Britain, with a tendency to dominate communities to the detriment of native species.

Local Biodiversity Action Plan (LBAP) – plans produced at county, district, parish or similar level to interpret the actions of the UK Biodiversity Action Plan.

Natural Environment & Rural Communities Act (2006) – Legislation which places a duty upon local authorities to protect and enhance biodiversity through their activities.

NIA - Nature Improvement Area

Ramsar – The Convention on Wetlands of International Importance, especially as Waterfowl Habitat, is an international treaty for the conservation and sustainable utilisation of wetlands.

Ride - open track-ways cut through woods originally for the extraction of timber. Now important conservation areas for butterflies, other invertebrates and wildflowers growing there due to the increased sunlight along the woodland edge.

Riparian – living or growing along the banks of a river.

Site of Importance for Nature Conservation (SINC) - A non-statutory designation of sites at the county/district level. Sites are generally assessed by either local authorities or county wildlife trusts, and adopted in local plans. For the criteria used for selecting SINC, see section 2.

Site of Special Scientific Interest (SSSI) - an area of land notified under the Wildlife and Countryside Act 1981 as being of special nature conservation interest. The SSSI designation applies in England, Wales and Scotland. Sites are notified by the appropriate country conservation agency, in England this is Natural England.

Special Area for Conservation (SAC) - a site designated by the UK Government under EC Directive 92/43 on the conservation of natural habitats and of wild fauna and flora.

Special Protection Area (SPA) - a site designated under Article 4 of EC Directive 79/409 on the conservation of wild birds. Together SACs and SPAs form a network of European sites known as Natura 2000.

Tree Preservation Order (TPO) – an Order which causes the prohibition of cutting down, topping, lopping or the wilful destruction of trees except with the consent from the Local Authority to ensure the preservation of trees, groups of trees and woodlands. Type “W” refers to TPOs for woodlands.

UK Biodiversity Action Plan (UK BAP) - the UK's priorities in biodiversity conservation, formulate a series of focused action plans designed to achieve these objectives.

4. ACTION TABLE

Based on the results of the background data search, extended Phase 1 survey and discussions with the parish council, suitable actions have been developed that will improve the biodiversity interest of the parish. Actions are focussed on providing a connected space for wildlife across the parish.

Some of the actions listed are already underway; others are potential projects, while others are aspirational, they represent ideal actions given sufficient resources and time. The actions listed represent the current priorities. Priorities will, however, change for many reasons, hence the need for regular review of this BAP.

The action table has been divided into site specific actions for the sites surveyed and more generic actions that can be applied parish-wide.

Each action table is divided into 5 main columns: Objective, Action, Outcome, Targets and Reporting Method. Objectives are the overall aim of undertaking the action, actions are the key activities that need to be undertaken, outcomes are the benefits to biodiversity that will be achieved, the targets are the steps that need to be fulfilled by the end of the stated years, and the reporting method identifies how progress towards the final objective is going to be monitored. Some targets also include management suggestions on how best to achieve the target, these should be incorporated into the management plans for the sites.

4.1. Hamble-le-Rice Action Table

OBJECTIVE	ACTION	OUTCOME	TARGET (YEARS)			REPORTING METHOD	
			1-2	3-5	6-10		
Cemetery	<p>More space for wildlife</p>	<p>Increased habitat for amphibians, dragonflies and damselflies</p> <p>Peaceful place for visitors to sit</p>	<p>Bog garden created in suitable area.</p> <p><i>Management:</i> Dig out hole for bog garden, line and refill with soil. Plant with suitable native species.</p> <p>Further details in Appendix 6</p>	<p>Bog garden with established vegetation.</p>	<p>Bog garden able to support a diversity of species including invertebrates, amphibians & plants.</p>	<p>Annual biodiversity check</p>	<p>Burial Comm to consider in conjunction with reps of St Andrews</p>
Cemetery	<p>Install a raised bird bath</p>	<p>Fresh water for birds for drinking and bathing</p> <p>Close contact with nature for visitors</p>	<p>Locate bird bath near to a hedge but far enough away so that it is in the open so birds are not vulnerable to predators e.g. cats, hiding in the hedge</p>			<p>Annual biodiversity check</p>	<p>Burial Comm to consider</p>

Cemetery		Retain areas of longer grass for wildlife	Shelter and food source for invertebrates, birds and small mammals	<p>Reduce mowing frequency to allow wildflowers to grow and set-seed</p> <p>Areas retained for over-wintering invertebrates and seed source for birds</p> <p><i>Management:</i> Cut each autumn, but retaining an area of approximately 25% uncut</p>			Annual biodiversity check	Larger area of grass to be left uncut
----------	--	---	--	---	--	--	---------------------------	---------------------------------------

Mount Pleasant						
Parish-wide						
Parish-wide						
Create a bog garden in suitable wet location	Increased habitat for amphibians, dragonflies and damselflies	Bog garden created in suitable wet area. <i>Management:</i> Dig out hole for bog garden, line and refill with soil. Plant with suitable native species. Further details in Appendix 6	Bog garden with established vegetation.	Bog garden able to support a diversity of species including invertebrates, amphibians & plants.	Annual biodiversity check	Consider suitable locations. Work with school? And/ or volunteer groups. Eg Scouts, corporate community days
Installation of bat boxes	Increased roosting provision for bats	Install 5 bat boxes across the parish	If bat boxes not being used by year 5, site in a different location		Bat box check	Hampshire Bat Group contacted – no response so far Conservation volunteers
Installation of bird boxes	Increased nesting provision for birds	Erection of at least 4 boxes across the parish			Bird box check	Contact Hamble Conservation Volunteers?

Parish-wide						Parish-wide
<p>Create holes in garden fences for hedgehogs</p>	<p>Hedgehogs able to move around the landscape</p> <p>Part of a national scheme 'Hedgehog Street' www.hedgehogstreet.org</p>	<p>Opportunity for engagement with neighbours and local community</p>	<p>Increased cover for invertebrates and small mammals</p> <p>Food source for invertebrates, birds and small mammals</p>	<p>Cut 13cm x 13cm holes at base of fence, at approximately 20 metre intervals.</p>	<p>Annual biodiversity check</p> <p>Raise awareness through magazine. Include in planning responses or Village Design Plan?</p>	
<p>Develop ecotones (transitional habitats) along boundaries of amenity spaces</p>	<p>Reduce mowing frequency along base of hedge extending up to 1 metre into field to develop gradient in vegetation from hedge into tall ruderals, herbs, long grass and amenity grassland.</p>	<p>Annual biodiversity check</p>	<p>Barraby's Field Rail Trail both sides Woodpecker Walk Strip by privet/ledge of Spittle Way College Playing Fields Orchard area Mount Pleasant Bank GE side</p>			

Parish Biodiversity Action Plan: Hamble-le-Rice Parish Council

Parish-wide						Create holes in garden fences for hedgehogs	Hedgehogs able to move around the landscape Part of a national scheme 'Hedgehog Street' www.hedgehogstreet.org	Cut 13cm x 13cm holes at base of fence, at approximately 20 metre intervals.			Annual biodiversity check	Raise awareness through magazine. Include in planning responses or Village Design Plan?
Parish-wide						Develop ecotones (transitional habitats) along boundaries of amenity spaces	Increased cover for invertebrates and small mammals Food source for invertebrates, birds and small mammals	Reduce mowing frequency along base of hedge extending up to 1 metre into field to develop gradient in vegetation from hedge into tall ruderals, herbs, long grass and amenity grassland.			Annual biodiversity check	<p>Barnaby's Field</p> <p>Rail Trail both sides</p> <p>Woodpecker Walk</p> <p>Strip by privet /edge of Spittle Way</p> <p>College Playing Fields Orchard area</p> <p>Mount Pleasant Bank/GE side</p>

Parish Biodiversity Action Plan: Hamble-le-Rice Parish Council

Parish-wide		Provision of log piles in rough grassland area	More shelter and space for amphibians, reptiles and invertebrates		Installation of at 3 log piles		Annual biodiversity check	<p>Log piles : Heather Gardens Village Green (5/02/2018) Photos for website and explanation in V Mag Barnaby's Field Rail Trail Woodpecker Walk</p>
Parish-wide	Provision of food sources for wildlife	Appropriate species planting to habitats and landscape	Connected habitats to aid movement of wildlife through the landscape	Only use locally sourced, native species for new and replacement planting			Annual biodiversity check	<p>Publish details of native species on Parish Council website Landscaping plans for new developments request native species</p>
Heather gardens	Create a woodland management plan	Write a woodland management plan Once plan is written, can potentially apply for funding through countryside stewardship	Woodland designed and managed for the benefit of people and wildlife Glade and ride creation allowing more light for understorey plants and attracting invertebrates Formal access paths to manage access and protect ground flora from trampling and reduce disturbance to breeding birds.	Produce a woodland management plan	Explore funding opportunities if required e.g. countryside stewardship		Approved woodland management plan Annual biodiversity check	Richard to investigate

Heather gardens		Prune trees to allow more light to reach ground and understory to develop and/or consider planting native species (with deer guards)	Increased diversity of habitats		Trees pruned to create some lighter areas	Understorey developing. Planting may be required if not occurring naturally e.g. honeysuckle, holly, hazel	Annual biodiversity check Detailed in woodland management plan	Agree programme of work with other organisations to remove the non - native species and clear the undergrowth
Heather gardens		Undertake a tree inventory, logging and assessing mature trees for veteran tree status. Share with HBC and assign TPO (where appropriate)	Protection of important trees in the parish	Produce an inventory of mature trees within Heather Gardens			Tree Inventory Detailed in woodland management plan	Volunteer Tree Warden or Work with Hamble Conservation Volunteers
Heather gardens		Introduce coppicing regime	Increased diversity of habitats	Introduce 8-10 year coppicing regime for existing hazel Create mosaic of coups for coppice rotation	Plant additional species suitable for coppicing e.g. sweet chestnut, hazel and willow, if required		Annual biodiversity check Detailed in woodland management plan	

Parish-wide	Create ecotones	Reduce management around hedge bases to soften edges and vary structure	Increased cover for invertebrates and small mammals Food source for invertebrates, birds and small mammals	Reduce mowing frequency along hedges to develop gradient in vegetation from shrubs to tall ruderals, herbs, long grass and amenity grassland		Productive fruit trees	Annual biodiversity check	Annual biodiversity check First phase complete Second phase autumn 2018
College playing field	Community engagement	Plant a community orchard	Increased engagement and sense of ownership of green spaces Additional food source for birds and invertebrates	Saplings planted			Annual biodiversity check	Regular beach cleans already organised by conservation volunteers.
Parish-wide		Create a volunteer work party to undertake clean-ups of the beach and village	Increased engagement and sense of ownership of green spaces	Hold first beach clean-up linked with Marine Conservation Society's 'Great British Beach Clean'	Organise twice annual clean-ups		Volunteer records	Regular beach cleans already organised by conservation volunteers. Consider reporting results ie how many sacks, unusual finds etc in V Mag and website

Parish-wide		Information exchange – contact local Wildlife Trust for press releases and suitable news articles that cover topics such as disposal of garden waste	Awareness of wildlife issues e.g. effects of non-native species on local wildlife, value of wildlife gardening etc.	Regular articles in parish magazine and on website on relevant topics e.g. encouraging appropriate disposal of garden waste		Publications in magazine and webpage	Jeanette & Jack Initially report outcome of survey and planned actions.
Parish-wide		Create page on parish website for recording species and links to useful information and websites	Increased engagement and sense of ownership of green spaces	Develop page to allow submission of records and photos. Link to online recording system – Living Record	Update with articles or links to local/national projects and sightings of interest	Webpage counter	Investigate examples already in place. Set up separate page for each specific area
Parish-wide		Invest in trail cameras and set-up loan scheme for local residents	Increased engagement with local community			Number of species records for parish	
Parish-wide		Invite specialist groups to survey a site e.g. Hampshire bat group, Hampshire fungus recording group	Generate more species records for the parish	Invite Hampshire bat group to undertake a walk around heather gardens and Hamble green		Number of species records for parish	Hampshire Bat Group contacted but no response to date Butterfly Conservation Blue Marine RSPB

Parish-wide		Hold a BioBlitz to increase knowledge of species found in the parish	Increased awareness of natural environment	Engagement with local community	Organise day to hold BioBlitz, contacting local experts and organizations to help with species ID	Hold BioBlitz	Disseminate results to participants	Count of attendees	
Parish-wide	Traditional woodland crafts event	Learn new skills	Engagement with local community	Recruit volunteers to assist on day	Hold event using coppiced material from Heather Gardens to make crafts	Count of attendees			
Cemetery	Encouraging recycling of natural waste	Build compost bin	Encourage appropriate disposal of garden waste	Additional habitat for wildlife	Source of compost for future planting	Build compost bin in suitable location within cemetery	Annual biodiversity check	Annual biodiversity check	Burial Ground Comm Already committed to install compost bins. Design shortlisted
Cemetery									Discuss with reps of St Andrews
Heather gardens	Remove garden variants and non-native species	Continue to tackle bamboo until permanently removed from site	Invasive, non-native species removed	Remove non-native species before they spread	Monitor for recurrence, and remove/treat as necessary	Annual biodiversity check	Annual biodiversity check	Order or commission bins	
Heather gardens		Remove Rhododendron and cherry laurel							

Parish Biodiversity Action Plan: Hamble-le-Rice Parish Council

Parish-wide		Remove non-native species: bamboo, cherry laurel, pampas grass and Rhododendron	Invasive, non-native species removed from parish	Remove non-native species before they spread	Monitor for recurrence, and remove/treat as necessary		Annual biodiversity check	
Parish-wide		Use native species only for hedgerow planting Encourage local residents to use native species in their own gardens	Increased food sources for invertebrates and birds More native species, diverse hedgerows	Any new or replacement hedgerow planting should be with native species only. Use variety of species to create diversity of seed and fruit producing species		More species diverse hedges	Annual biodiversity check	

Agenda item: Agenda Memorial Plaques on public benches

Recommendation:

That the Council does not permit the purchase of memorial benches in the future.

Set a 10 year limit for all existing and new plaques.

The Adoption of the draft Terms and Conditions

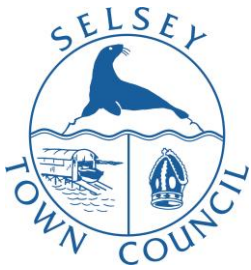
A fee for a commemoration plaque and the maximum number of plaques per bench

Current Position

1. A plan to renew the benches on the Foreshore and College Playing Fields has been agreed and this will be taking place on a phased basis. It has also been agreed previously by the Committee that no further memorial benches will be permitted.
2. To date there has been no terms and conditions applied to either the provision of benches or the plaques fixed on them. This has created expectation that the Parish Council is responsible for the maintenance and renewal of both the benches and safeguarding of the plaques for an indeterminate time. As these benches and plaques are replaced the council needs to decide what steps are taken to notify donors?

Future approach

3. A number of Parish Councils have policies in place stating that a dedication is for a limited period of 10 or 15 years after which the Council reserve the right to remove it.
4. Some Parish Councils also collect an allowance towards the maintenance of benches where plaques have been attached. This can be as high as 50% of the original purchase and installation cost. http://www.fareham.gov.uk/clean_and_tidy/street_furniture/benches.aspx and Bembridge PC attached.
5. Hamble Parish Council has not agreed a time limitation for memorial plaques on benches and families may expect plaques to be removed from benches no longer fit for use and re-fixed to the replacement bench.
6. It is proposed the Parish Council adopts a policy setting a 10 year time limit for all existing and new memorial benches and plaques. Existing benches and plaques to be measured from the date of the Council resolution. All new memorial plaques to be inscribed dated and details kept on a database with contact addresses.
7. Plaques will be installed by the Grounds Team or benches drilled in preparation for a commemoration gathering to fix a plaque.
8. As benches will be provided through public funds a charge a contribution towards the original purchase of the bench, installation, ongoing maintenance and affixing the plaque, it is proposed to make a charge. The Council is asked to consider a charge in the region of £350 - £400 per plaque. (This is in line with charges made by other Parish Councils) The donation will not be linked to the specific bench where the plaque is to be installed but to all parish bench costs in general.
9. The Parish Council will no longer offer exclusive benches for one plaque only, this will enable more families the opportunity to commemorate loved ones at sought after sites such as the Foreshore. The Council is asked to agree the maximum number of plaques per bench: 4, 5 or 6 plaques will not overcrowd the back rails.
10. Does the Council wish to stipulate: the plaque material (brass/bronze), font, maximum characters for inscriptions?



MEMORIAL POLICY

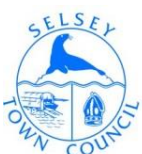
INTRODUCTION

Selsey Town Council will permit, in principle and subject to the conditions of this policy, the placing of memorials in parks and open spaces owned by the Council and on the sea wall within the conditions set by Chichester District Council. The Council fully recognises that these public facilities provide a valuable amenity function, improving wellbeing and visitor enjoyment.

This policy ensures that the management and regulation of its parks and open spaces is for the mutual benefit of all and sympathetically recognises the contrasting needs of a variety of users.

GENERAL

- a) All applications for memorials in parks, on the sea wall and open spaces must be made in writing to ensure the request can be recorded and considered. The application must be duly completed by the next of kin or the Executor.
- b) Applications for benches cannot be guaranteed or reserved prior to an applicant's death; an entry may be made on a waiting list with a note highlighting the nature of the application however the application will be treated in order of the date that it appears on the list. Spaces will not be held in waiting at any time.
- c) Should a request be refused and the reason given by the Clerk not be accepted by the applicant, the applicant has the right to request that the matter be referred to the Council for a decision, whose decision shall be final.
- d) It remains the responsibility of the applicant to notify Selsey Town Council in writing of any change of address or contact details.
- e) The Council does not permit the interment or scattering of ashes within the town's parks and open spaces.
- f) The Council will not accept applications for memorials for pets.
- g) The Council will endeavour to accommodate the wishes of the applicant regarding location of the memorial, but the overall development and management of the parks, seawall or open spaces will take precedent.
- h) The Council will at the required times, consult with any 'Friends of' groups, Managing Committees, Landlords or District Council to agree the locations and numbers of memorials that will be permitted in each of the parks and open spaces.
- i) The Council has the absolute right to limit, in both location and number, the types of memorial in any one area.
- j) The Council will maintain an asset register and associated plans where required of all memorials placed with the parks, sea wall and open spaces.
- k) The appropriate payment must be received before the installation of the memorial and the payment must meet the full and final cost of the memorial, its installation and any relevant maintenance charge or annual charge that is quoted at the time of application.



- l) Payment for a bench shall be treated as a donation and the ownership of the asset shall be vested in the Town Council who shall be deemed the legal owners.
- m) Once installed, a bench shall receive routine annual maintenance; normal maintenance may only be guaranteed to take place up to a maximum of 10 years.
- n) The Council reserves the right to remove any memorial that has been damaged and/or, in the view of the Council, is beyond economic repair.
- o) The Council will notify the applicant in the event of the removal of the memorial item.
- p) The Council also reserves the right to relocate any memorial to enable the implementation of projects, landscape redesigns or the reconfiguration of services or alterations to the sea wall. The Council will endeavour to consult with the original donor to ensure alternative options are made available; relocation on the sea wall cannot be guaranteed due to restrictions imposed by Chichester District Council on its use as a coastal defence.
- q) The Council accepts no liability for damage to any memorial from vandals, third parties or routine maintenance, except where maintenance staff are proved negligent.
- r) Any ceremony or gathering to celebrate the fixing of a bench must be arranged and agreed with the Council in advance.

MEMORIAL BENCHES AND PLAQUES

- a) The Council will maintain a register of approved benches.
- b) Benches shall be secured and placed as the Council deems appropriate.
- c) The Council will supply and manage the installation of all benches, the cost of which shall be incorporated in the donation.
- d) The cost per bench will include annual maintenance for a period of ten years. Exclusive rights to a single bench will be for a period of ten years and costs will be detailed on the application form. A shared site (one plaque per donor) will be 50% of the exclusive rights cost and cover the same period. **A maximum of two memorial plaques per bench will be allowed and memorial plaques may only be affixed by Council operatives.**
- e) A memorial plaque shall have:
 - a. A maximum size of 160mm x 70mm
 - b. The person's name
 - c. A suitable statement, single line and inoffensive text
 - d. Text should run horizontally along the plaque's widest point.
 - e. Dates if desired.
 - f. Note: The final wording is to be approved the Town Clerk.
- f) The Council, in line with current maintenance arrangements, will maintain the bench, but the council accepts no liability for replacement of the bench or the plaque at the end of their useful life.
- g) No additional mementos such as vases, statues, flowers or wreaths shall be permitted on or around the bench.
- h) Renewal of the memorial will be offered at ten year intervals. Donors choosing not to renew their memorial dedication will have their commemorative removed for collection and the bench/site will be reallocated.

BEMBRIDGE PARISH COUNCIL

MEMORIAL BENCH POLICY

Adopted: 18th July 2017

1 INTRODUCTION

- 1.1 **Bembridge Parish Council supports the needs and principles of allowing memorial benches within the parish and is mindful that these facilities are enjoyed by a wide range of people. Therefore the Parish Council will ensure that the issue is managed and regulated for the mutual benefit of all.**
- 1.2 It is the intention that the policy only covers broad common issues and is not meant to be exhaustive. The content of this policy will be revised as necessary to meet changing circumstances.

2 LOCATIONS

- 2.1 Parish owned land
- 2.2 Land that does not fall within the remit of Island Road

3 POLICY – Terms & Conditions

- 3.1 All applications for memorial benches should be completed on the official request form and be signed by the applicant.
- 3.2 All memorial benches should be paid for by the applicant before the completion of the installation. A maintenance fee of £100 per 10 year period is due to the Parish Council prior to installation.
- 3.3 The Parish Council will limit the number of memorial benches in particular areas.
- 3.4 The Parish Council will notify the applicant in the event that the memorial bench is damaged. The applicant should ensure that the Parish council is in possession of current contact details
- 3.5 The Parish Council reserves the right to remove any memorial benches that have been damaged and are in the view of the Parish Lengthsmen beyond economical repair or have not been repaired within 4 weeks of the notification referred to in (3.4) above.
- 3.6 The Parish Council accepts no liability for damage to any memorial bench from vandals, third parties or whilst the Parish Council carries out routine maintenance.
- 3.7 Benches will be of the type and colour specified by the Parish Council to be in keeping with the intended location.
- 3.8 Memorial plaques fitted to benches to be a maximum size of 175mm wide x 75mm high or shall fit in the centre of the upper most lath of the back of the bench, or whichever is the greater.
- 3.9 The Parish Council in line with the current maintenance regime for benches will maintain the plaque. The Parish Council accepts no replacement liability for the plaque or the bench at the end of its useful life and will dispose of any such bench. Any replacements of benches or plaques will be the responsibility of the original applicant.
- 3.10 Any maintenance carried out by a third party will be in strict agreement with the Parish Council and by appointment only.

4 STYLE & COST OF BENCH

4.1 Permission will only be given for the following:

- Hardwood
- Recycle Material

4.2 Charges for Memorial Bench:

	Approx
• Hardwood 6ft Bench	£ 400.00
• Recycled 5ft Bench	£ 425.00
• Installation Charge – compulsory charge	£ 30.00
• Maintenance Charge – compulsory charge	£ 100.00

APPLICATION REQUEST FOR A MEMORIAL BENCH

Full name: _____

Address: _____

Postcode: _____

Telephone: _____

Email: _____

Please notify us of any change of name or address so we can contact you if we need to.

Name of person for dedication: _____

Style of bench: Hardwood 6ft or Recycled Material 6ft

Preferred location of bench: _____

Amount enclosed: £ _____

Please provide and install a dedicated seat on my behalf. I agree to donate the required cost, and when the donation has been received, the dedicated seat will be ordered.

Signed: _____

Date: _____

Please supply the engraved plaque no larger than 175mm wide x 75mm high

Please return completed form to:
 Bembridge Parish Council, 5 Foreland Road, Bembridge, Isle of Wight PO35 5XN

FOR OFFICIAL USE ONLY	
Date of installation	
Location	
Dedication to	

Assistant Clerk - Hamble Parish Council

From: Willsmore, Justyn (SGS Group) <Justyn.Willsmore@uk.bp.com>
Sent: 23 January 2018 12:28
To: Assistant Clerk - Hamble Parish Council
Subject: TS Mercury memorial and bench
Attachments: Mercury bench.jpg; Mercury Monument.jpg

Dear Jeanette,

I've spoken to Richard and he believes the land surrounding the Mercury memorial and bench does belong to HPC. The chain needs replacing and the paving needs repointing. I am wondering if it's ok with HPC if I contact the local Men's Shed to see if they have a bricklayer and the Sea Scouts to see if they can help out with the pointing. BP will provide the materials.

Please advise, thanks, Justyn.

Justyn Willsmore
Community Affairs

Tel: +44 (0) 23 8045 6028

BP Oil UK Limited,
Registered office: Chertsey Road,
Sunbury on Thames, Middlesex, TW16 7BP.

Registered in England and Wales, number 446915

The information in this e-mail is confidential and may be legally privileged. It is intended solely for the use of the addressee(s) only. Access to this e-mail by anyone else is unauthorised. If you are not the intended recipient any disclosure, copying, distribution or action taken or omitted to be taken in reliance on it is prohibited and may be unlawful. Within the bounds of law, electronic transmissions through internal and external networks may be monitored to ensure compliance with internal policies and for legitimate business purposes.







21st Jan 2018

Dear Jeanette,

12 JAN 2018

Happy New Year! I hope you have had a lovely Christmas!

As per discussions last year, we are planning to erect a greenhouse in our allotment (9C). As this will be exposed to the elements, we decided to use polycarbonate (instead of glass), as this is much more safer, durable, resistant and easier to remove (if needed). Please see specifications below and enclosed drawing.

- Dimensions: 3.8 x 5.9ft (1165 x 1800mm)
Height = 6.5ft (as per guidelines)
- Base: paving slabs
- Structure: wooden (plain/olive green colour as per guidelines)
- Cover: polycarbonate (corrugated for ceiling)
- Details: single door, no windows.

Please do not hesitate to contact us if you have further queries. We look forward to your feedback, many thanks for your help.

Kind regards

P.S. I also enclosed one of the water keys, this one doesn't fit the tap near our allotment.

Assistant Clerk - Hamble Parish Council

To: [REDACTED]

Subject: Request to erect a greenhouse at the allotment garden

[REDACTED]

Thank you for your recent letter requesting permission to erect a greenhouse at the Parish Council allotment garden.

Can I please clarify if the walls of the structure will be wooden or polycarbonate on a wooden frame?

I look forward to hearing from you.

Kind regards

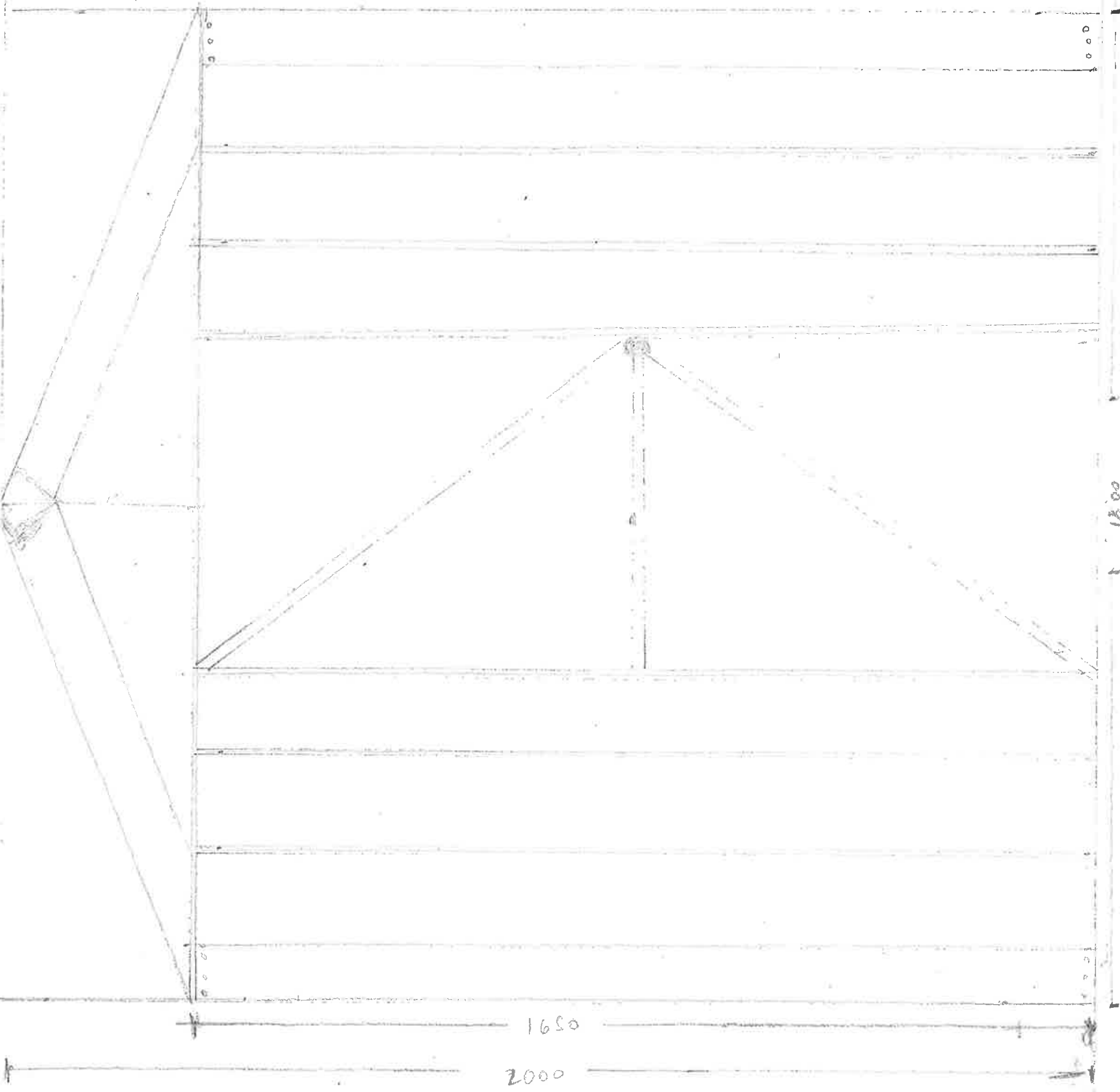
Jeanette.

Jeanette Symes
Assistant Clerk
Hamble-le-Rice Parish Council
Memorial Hall
2 High Street
Hamble-le-Rice
Southampton
SO31 4JE
Tel: (023)8045 3422



Scale: millimetre
 - 1165 mm = 3.8 ft - 2009 = 6.5 ft
 - 1800 mm = 5.9 ft

- MATERIAL:**
 STRUCTURE → **TIMBER**
 COVER → **CORRUGATED POLYCARBONATE**
 BASE → **paving slabs**



FRONT

1800

Shed specification for the Hamble Lane Allotment Site

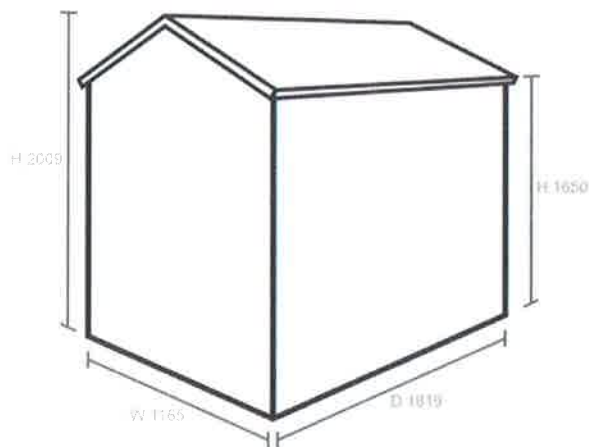


6 feet x 4 feet wooden shed

The sheds should have a sturdy and unobtrusive wooden base or sit on paving slabs.

The sheds should be stained in a brown or olive green colour.

The sheds should be no bigger than the one pictured.



Each plot holder should inform the Parish Council in writing if they want to erect a shed with details of its size etc.

In the interest of security and for the avoidance of all doubt plot holders must be aware that the Parish Council will not be held responsible for any loss or damage.

RULES AS TO ALLOTMENT GARDENS made by Hamble-le-Rice Parish Council for allotments in the parish.

1. Throughout these rules the expression 'the Council' means Hamble-le-Rice Parish Council and includes any allotment managers appointed by the Council under the Allotment Acts 1908 and 1950.
2. The Council, before giving notice of their intention to let any land for allotment gardens, shall divide the land and shall cause a plan to be prepared showing each allotment garden and distinguishing it by a separate plot number.
3. The Council shall give public notice by bills or placards, posted in some conspicuous place in the parish or otherwise exhibited therein, setting forth the particulars as to any allotment gardens which it proposes to let.
4. The Council shall not let any allotment garden unless and until notice that they propose to let the same has duly been given in pursuance of the rule in that behalf at least two weeks before the last day or receiving an application for such an allotment garden.
5. An agreement to let an allotment garden to any applicant may be signed by the Clerk to the Council on behalf of the Council and may be in the form set out in the schedule to these rules. These rules replace all previous versions, if any exist, between the tenant and the Council.

GENERAL CONDITIONS UNDER WHICH THE ALLOTMENT GARDENS ARE TO BE CULTIVATED

6. The tenant of the allotment garden shall comply at all times to the following conditions:
 - i) The tenant shall keep the allotment garden clean and in a good state of cultivation and in good condition. Any waste materials created on the allotment garden should be composted on site using a container specifically designed for that purpose.
 - ii) The tenant shall not cause any nuisance or annoyance to the occupier of any other allotment garden or nearby residents, or obstruct any path set out by the Council for the use of the occupiers of the allotment gardens.
 - iii) The tenant shall not underlet, assign, or part with the possession of the allotment garden or any part of it.
 - iv) The tenant shall not, without the written consent of the Council, cut or prune any timber or other trees, or take, sell or carry away any mineral, gravel, sand or clay.
 - v) The tenant shall not, without the written consent of the Council, erect any hut, shed or other building on the allotment gardens. However, if written consent is given to erect a shed it should be no greater than 6 feet by 4 feet (185 by 125 centimetres) in size. Any shed must be purpose built and be a neutral colour throughout. All sheds must stand on paving slabs or similar hard standing and be located at the back of each plot. All sheds are erected and used at the allotment holder's own risk.
 - vi) The tenant shall not light any bonfires or barbeques on the allotment gardens. However, the use of a purpose built galvanized steel incinerator with funnel lid is permitted under the following circumstances. The written consent of the Council must be requested by all those wishing to use an incinerator. Fires are not to be lit before midday and are to be disposed of before dusk. Fires will only be permitted between the 1st October and the 31st March (permission for fires outside these dates will only be granted in special circumstances). Fires must be attended at all times. All incinerators are provided and used at the allotment holder's own risk.
 - vii) The tenant shall notify the Council in writing of any change of address within one month of any such change.
 - viii) The tenant shall not, without the written consent of the Council, keep bees on the allotment gardens.

- ix) The tenant shall not keep any livestock on the allotment gardens.
- x) The tenant shall not bring on to the allotment garden any food, garden or household waste with the exception of manure and compostable materials in such quantities sufficient to make compost for personal use on the Allotment Garden and stored in a small container specifically designed for that purpose.
- xi) The Tenant shall observe and perform other conditions which the Council shall consider necessary to preserve the allotment gardens from deterioration, and of which notice to the applicant of an allotment garden is given in accordance with these rules, provided that no special condition made under this paragraph shall have the effect of prohibiting the keeping of hens or rabbits.

PAYMENT OF RENT

7. The rent of an allotment garden shall, unless otherwise agreed in writing, be paid yearly on the last working day of September each year. All allotment rentals will be subject to an annual review by the Council.

POWER TO INSPECT ALLOTMENT GARDENS

8. Any officer of the Council shall be entitled at any time to enter and inspect an allotment garden.

TERMINATION OF A TENANCY OF AN ALLOTMENT GARDEN

9. The tenancy of an allotment garden shall, unless otherwise agreed in writing, be terminated on the half yearly rent day next after the death of a tenant and shall also terminate whenever the tenancy or right of occupation of the Council terminates.

It may also be terminated by the Council by re-entry after 28 days' notice:-

- i) If the rent is in arrears for more than 40 days or
- ii) If the tenant is not duly observing the rules affecting the allotment gardens or any other term or conditions of his tenancy, or if the tenant becomes bankrupt or compounds with his creditors or
- iii) By resolution of the Council.

The tenancy may be terminated by the Council or tenant by twelve (12) months' notice in writing expiring on last working day of March or the last working day of September each year.

EXEMPTION OF CERTAIN LETTINGS FROM THESE RULES

10. These rules shall not apply to any allotment garden which the Council, under special circumstances to be recorded in the minutes, may exempt from these rules.

SERVICE OF NOTICE

11. Any notice may be served on a tenant either personally or by recorded letter at their last known place of abode, or by fixing the same in some conspicuous manner on the allotment garden.

NON-PARISHIONERS

12. Parishioners of Hamble-le-Rice will normally have priority on the waiting list. If a situation occurs where there are no parishioners on the waiting list then the Council reserves the right to let an allotment garden to a person not normally resident in Hamble-le-Rice.

Parishioners who subsequently move out of the Civil Parish of Hamble-le-Rice may retain their allotment provided that they still adhere to the rules and general conditions contained herein.

Adopted at the Parish Council meeting of 23rd November 2015

6.02.2018

Hamble Parish Council – Asset Management Committee

RECOMMENDATIONS: TO AGREE TO REPLACE SOME OR ALL OF THE FOLLOWING EQUIPMENT

Introduction, Following further investigation works by our H+S consultants, it is clear that the vibration ratings for a number of our current machines have either not been found or are high. Given this costs have been sought to replace them to avoid needing to shorten staffs exposure to them.

Tanaka TBC 270 PFDS Brush Cutter X4

MTD Yard Machine

ISEKI SXG 15 Ride on

Massey Ferguson MF 1540 Tractor

Honda izy Mower X3

EFCO SA 2700 Back pack Blower

The cricket roller and spiker would also fall into this category due to the age of the machines

Of the machines that the data was found for, the hedge cutters and chainsaws have a daily usage of between 3 and 4 hours> if they aren't replaced this time limitation will make carrying out aspects of the Councils work very difficult.

Of all of the machines that the council currently owns only the two cricket mowers came back with practical allowable usage times, the new ride on mower due to be ordered also has a full day's use allowed.

Of the above list the only machines that would be cost effective in bringing in a specialist to give a rating would be the tractor and ride on mower. Members views are sought on this?.

Cost implications (cheapest is in blue)

Item	No. in use	Replacement no.	Carters	M+S	Tudor environmental	cost
Brushcutter	2	2	£239	£877.50	£216.66	433.32
Strimmer	2	2	£229	£877.50	£206.66	413.32
Blower	1	1	£309	£665	£283.33	283.33
Chainsaw	2	1	£469 with battery+charger	unavailable	£233.33	233.33
Hedgetrimmer	3	2	£439 with battery+charger	£720	£213.33	426.66
Pole hedge trimmer	1	1	£449 with battery+ charger	£850	£216.66	216.66
Battery BLi300			£199	£NA	£191.25	191.25
BLi200			£145		£141.67	141.67
Backpack battery	1	1	£799	£1499 with charger	£720	720
Charger			£79	£NA		79.00
						3138.54

Petrol mower	3	3	£369	£407		1107
Battery mower		0		£1399		4197
Summary £3138.54 + cost of mowers						

In addition the table includes the variable price between petrol and battery operated mowers. There is a significant variation in cost and Members are asked to confirm how they wish to precede?

Actions

1. To identify the extent of equipment not meeting adequate standards of vibration
2. To agree to replace the poorly vibration rated and unrated council machinery.
3. To agree the future of the council's cricket specific machinery that is currently sat in the shed unused deteriorating.



Frampton & Bourne
South Coast Electrical Services

17 Sewall Drive
Bishopstoke
Eastleigh
SO50 6JE

Robin Frampton: 07974206517
Dave Bourne: 07545897904

Email: framptonbourne@gmail.com

Company Registration: OC415504

Quotation

Date: 26/09/2017

Quotation number: 128

Client: Hamble Parish Council

Project: Roy Underdown Pavilion

Description of works:

Fit 2x new tamper proof sockets to changing rooms

*Circuits to be encased in conduit

**In line with current regulations, socket's are required to be RCD protected

Total cost: £533.00

On acceptance of this quotation, you have agreed to our terms and conditions as stated.

This quotation is valid for acceptance for 30 days.

This quotation is based on the information provided by the client at request of quote for services. Any deviations from this quote will be costed accordingly.

Our payment terms are 30 days maximum.

This quotation is subject to acceptance of our current payment terms, interim valuations will be submitted at regular intervals throughout the contract.

Terms and conditions:

We will require builders work to be provided as follows:

- Making good of chasing and/or drilling
- Provision for setting out points to working areas
- Provision of 110v power supply
- Scaffolding towers and high level working platforms for works over 3.5m
- Storage for equipment and materials on site
- Provision for welfare facilities
- Pattresses, back boards and noggins as required
- Weathering for penetrations through roof/walls
- Fire and acoustic stopping
- Ducting for incoming utilities
- Dedicated space for vehicle parking
- Provision of skips



Frampton & Bourne

South Coast Electrical Services

17 Sewall Drive
Bishopstoke
Eastleigh
SO50 6JE

Robin Frampton: 07974206517
Dave Bourne: 07545897904

Email: framptonbourne@gmail.com

Company Registration: OC415504

Quotation

Date: 26/09/2017

Quotation number: 127

Client: Hamble Parish Council

Project: Roy Underdown Pavilion

Description of works:

Fit tamper proof socket at bottom of stairs

*In line with current regulations, socket is required to be RCD protected

Total cost: £97.00

On acceptance of this quotation, you have agreed to our terms and conditions as stated.

This quotation is valid for acceptance for 30 days.

This quotation is based on the information provided by the client at request of quote for services. Any deviations from this quote will be costed accordingly.

Our payment terms are 30 days maximum.

This quotation is subject to acceptance of our current payment terms, interim valuations will be submitted at regular intervals throughout the contract.

Terms and conditions:

We will require builders work to be provided as follows:

- Making good of chasing and/or drilling
- Provision for setting out points to working areas
- Provision of 110v power supply
- Scaffolding towers and high level working platforms for works over 3.5m
- Storage for equipment and materials on site
- Provision for welfare facilities
- Pattresses, back boards and noggins as required
- Weathering for penetrations through roof/walls
- Fire and acoustic stopping
- Ducting for incoming utilities
- Dedicated space for vehicle parking
- Provision of skips



QUOTE

Hamble Parish Council, Memorial Hall, High Street, Hamble

Date
4 Oct 2017

Quote Number
QU-0138

Reference
Changing rooms at College
playing fields

VAT Number
264256792

Premlex Limited
2 Coach Road
Hamble
Southampton
Hampshire
SO31 4JW
UNITED KINGDOM

Description	Quantity	Unit Price	VAT	Amount GBP
Replace single socket for a lockable socket in Stairwell area. There are many options, but the best is a metal clad socket with 2 keys. you can't turn the socket on without the keys.	1.00	0.00		0.00
Install 1 x RCD fused spur and 2 lockable sockets in 2 sets of changing rooms. Sockets to be located near door between changing rooms so cleaners can use socket for both rooms. Feed taken from socket in stairwell, wiring to be run in black 20mm conduit.	1.00	0.00		0.00
1 days labour for 2 men	1.00	400.00	20%	400.00
Materials	1.00	263.42	20%	263.42
			Subtotal	663.42
			TOTAL VAT 20%	132.68
			TOTAL GBP	796.10

Clerk - Hamble Parish Council

From: Groundsman - Hamble Parish Council
Sent: 02 February 2018 08:48
To: Clerk - Hamble Parish Council
Subject: socket outlets

Hi Amanda,

Third quote for RUP c/room electrics

Many Thanks
Richard

From: RONALD COOMBS [<mailto:rm2c@btinternet.com>]
Sent: 26 October 2017 21:23
To: Groundsman - Hamble Parish Council
Subject: socket outlets

Hi Richard

We thank you for your enquiry and are pleased to quote as follows

- 1 To supply and install 2 no lockable single sockets 1 in each of the two changing rooms as discussed on site
- 2 To replace existing single socket at bottom of stairs with a single lockable socket

All for the sum of £298.31 plus VAT £59.66 Total £357.97

Kind Regards

R Coombs

P&R Electrical Services

HAMBLE-LE-RICE PARISH COUNCIL



Memorial plaques on public benches Policy

Hamble le Rice Parish Council recognises the wish for memorial plaques on benches in a public park or space. The Parish Council will consider requests on an individual basis however retains the right to refuse or limit the number of memorial plaques.

It is important to remember that waterside and green spaces are enjoyed by a wide range of residents and visitors. The memorial plaque and tree application process is managed and regulated for the benefit of all.

This policy has been produced with the following guiding principles:

- To be respectful and sympathetic to those seeking to install a memorial
- To ensure the recreational use of open spaces is not compromised and ensure the quality of their appearance is maintained

Memorial Plaque -Terms and Conditions

The Parish Council will consider requests for placement of a memorial plaque on an existing bench. As benches have been provided through public funds, a charge which includes a modest donation towards the original purchase and future maintenance of **all** benches, plus the installation cost of the plaque will apply. The donation is not allocated to maintenance of a specific bench.

1. An enquiry form should be completed and sent to the Assistant Clerk via email asstclerk@hamblepc.org.uk.
2. A maximum of **4 or 6 ?** memorial plaques may be attached to each bench (one memorial per applicant)
3. The proposed inscription on a memorial plaque must be approved by the Parish Council before any order is placed. The inscription must include the date of manufacture in the bottom right hand corner.
4. The applicant will be responsible for the provision of the memorial plaque once the size, wording, and font (**or stipulate basic wording & font ?**) have been agreed in writing by the Parish Council.
5. Memorial plaques will be installed by the Parish Council of the on the back rail of the bench.
6. No additional mementos such as flowers, statues or vases will be permitted alongside or placed on any bench. The Parish Council reserves the right to remove any additional mementos or flowers.

7. The Parish Council reserves the right to remove a memorial plaque ten years from installation or sooner if the plaque is in a poor state of repair or the bench is no longer considered safe or fit for purpose.
8. The Parish Council's standards of maintenance will be accepted as keeping the bench fit for purpose and clean. This will involve occasionally removing algae and grime, repairing minor faults within the resources available. The Parish Council is not responsible for the maintenance of memorial plaques.
9. Memorial plaques must not be removed or inscriptions amended without the written approval of the Parish Council.
10. The Parish Council will undertake regular assessment of all benches and reserves the right to remove any bench that is no longer considered safe and fit for purpose. In this event, the named persons on the enquiry form will be informed. The donor will be asked to collect the inscribed plaque within ? days/weeks or it will be disposed of if contact cannot be made.
11. The Parish Council retains the right to re-site a plaque should this become necessary.
12. The Parish Council accepts no liability for damage to benches or plaques by a third party.
13. The Parish Council will keep a record of donors and their contact details in accordance with the General Data Protection Regulations. It is the responsibility of the donor to provide the Clerk with updated details in writing. Failure to do so could lead to your plaque being removed without notice.

Memorial Trees – Terms and Conditions

The planting of memorial trees may be permitted. However, due to large numbers of existing trees and dependent on the level of demand, the planting of trees may not always be possible.

1. The species of tree will be a native variety and will be at the discretion of the Parish Council, chosen to enhance the planting scheme of the specific area.
2. Trees will be planted during the autumn and winter planting season by the Council, but the applicant and family members may be present and assist if practicable and desired
3. The total donation toward the cost and care of the tree will be £250 to include the tree, planting, stakes, guards, pruning and a plaque. The applicant will be asked to make payment to the Parish Council before the tree is ordered.
4. The tree will be solely owned by the Parish Council and the plaque will remain in place for a maximum of 10 years unless it is in a poor state of repair.
5. The proposed inscription on a memorial plaque must be approved by the Parish Council and must include the date of manufacture in the bottom right hand corner. The Parish Council will order the plaque the donation has been received. The plaque will be installed when the tree is planted.
6. The Parish Council will keep a record of donors and their contact details in accordance with the General Data Protection Regulations. It is the responsibility of the donor to provide the Clerk with updated details in writing. Failure to do so could lead to your plaque being removed without notice.
7. No additional mementos such as cut or plastic flowers, flowers in pots, statues or vases will be permitted alongside any tree. However native spring bulbs may be planted around the base of the tree.
8. Hamble le Rice Parish Council will not accept responsibility or liability in respect of any damage to or loss of a memorial tree or plaque whatever the circumstances. Including damage caused by a third party.
9. If the memorial tree is vandalised or does not thrive the Parish Council may help the applicant to replace the tree. The cost of a replacement will be limited to the cost of the tree only and will not include the additional expenses.
10. **All trees planted as a memorial should be watered in the first year by the applicant to ensure its survival?**